

Light efficiency:



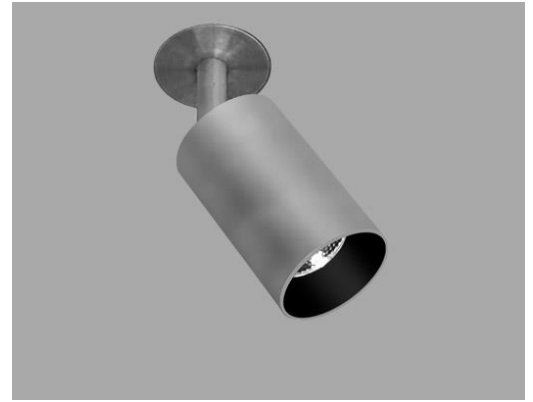
Output: 810 lm

Light quality:

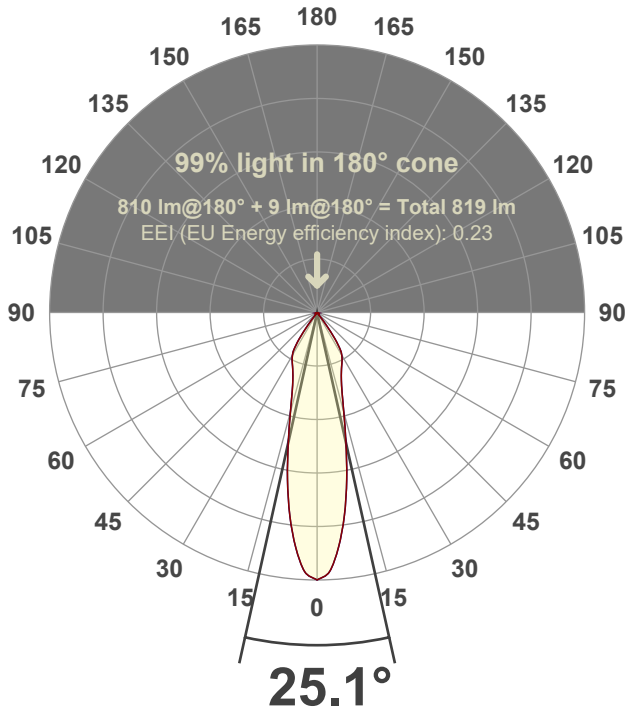


Peak: 2246 cd

Power: 14.6 W



Beam angle



Test number:

SCOM-RA-A14-3019-28°-Rev2A

Luminaire Model:

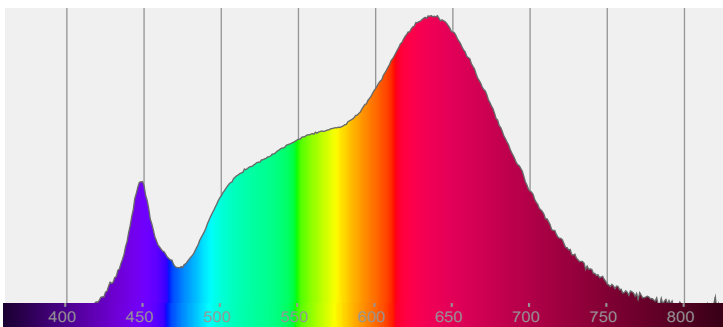
Scope Monopoint- A14-30k-28°

Date and time:

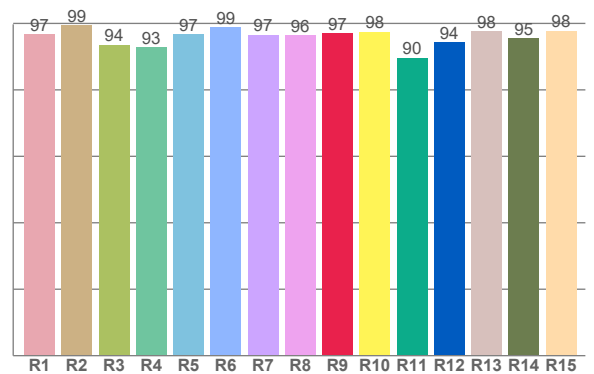
9/7/2022 10:37:17 AM

LUM: 810

Spectra



CRI: 96.4 (R1-R8)



Color parameters

	Color rendering index	Red component	Color fidelity	Color gamut	Color quality scale	Color coordinate cie 1931	Color coordinate cie 1931	Color coordinate	Color coordinate	Color deviation from black body
	CRI	CRI R9	TM30 R <sub>f</sub>	TM30 R <sub>g</sub>	CQS	x	y	u	v	Δuv
	96.4	96.9	95.6	103.7	94.9	0.439	0.405	0.251	0.348	0.0003

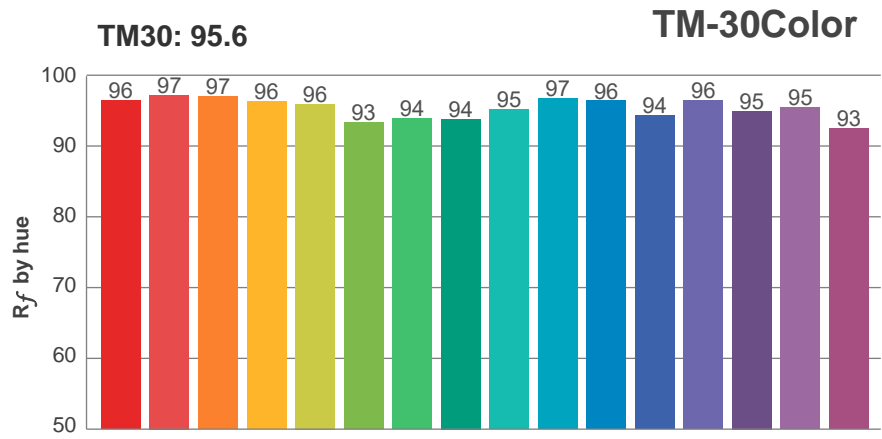
# R<sub>f</sub> 95.6

Fidelity index R<sub>f</sub>

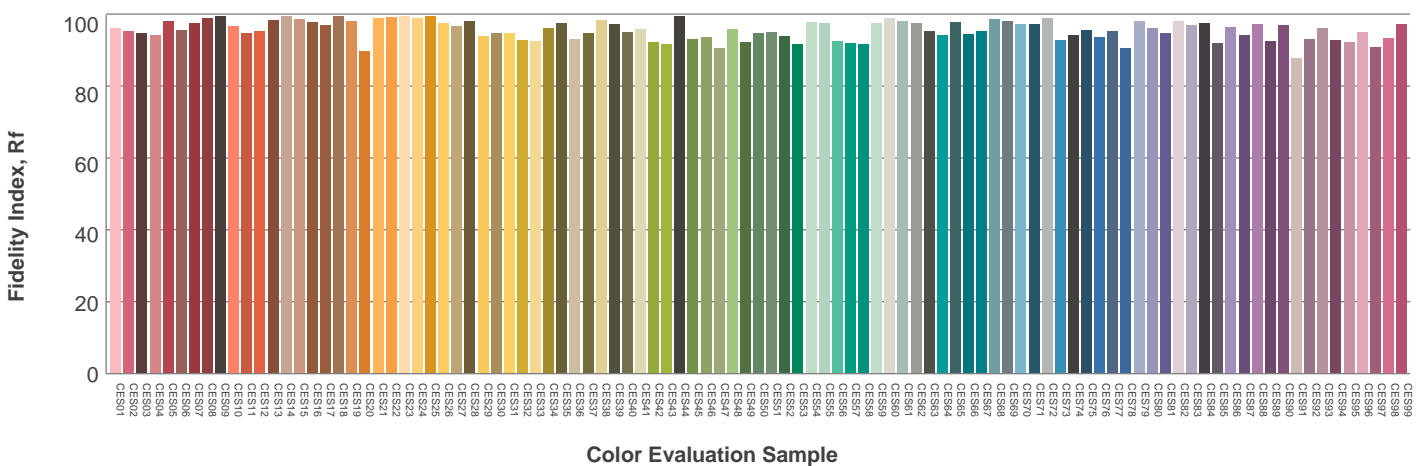
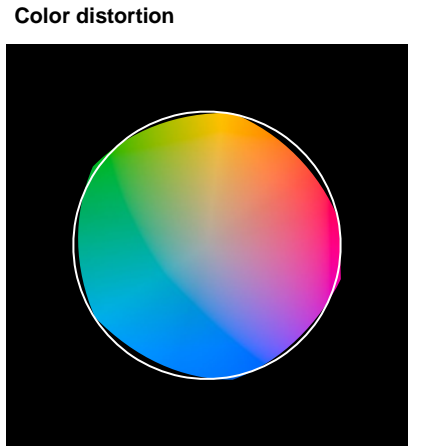
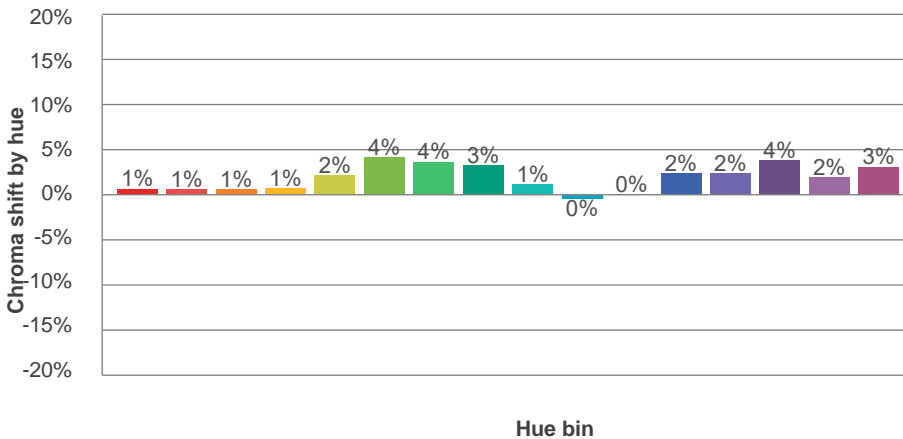
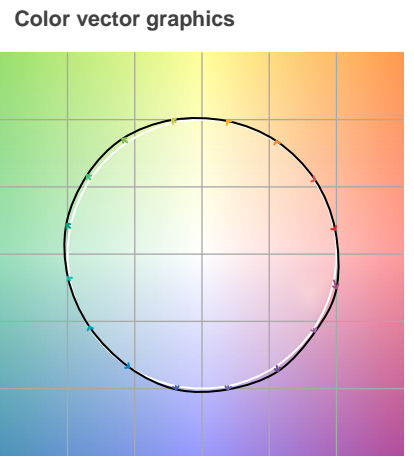
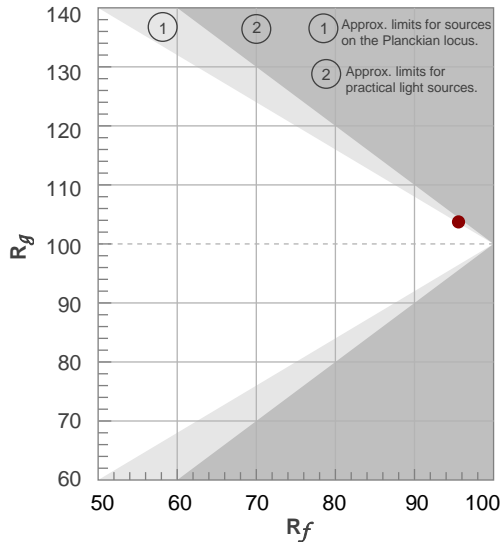
---

# R<sub>g</sub> 103.7

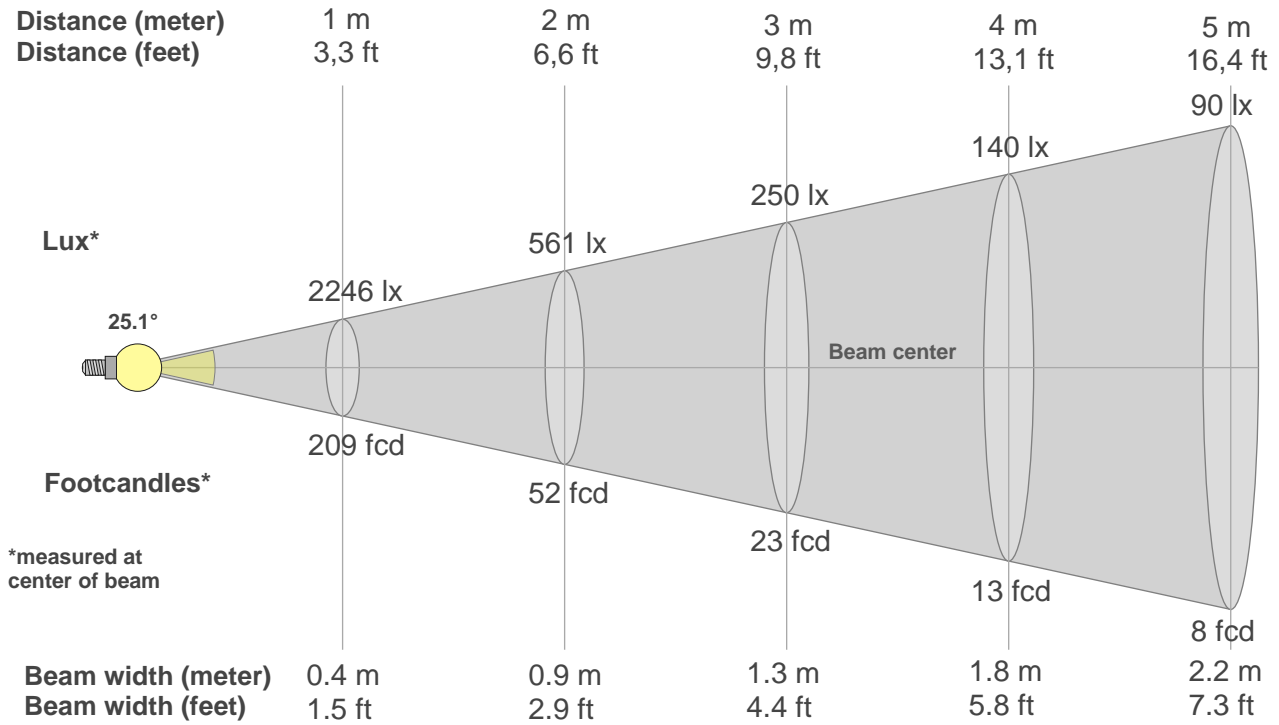
Gammut index R<sub>g</sub>



Hue Bin	R <sub>f</sub>	Graphic shifts (%)	
		Chroma	Hue
1	96	1%	-2%
2	97	1%	-1%
3	97	1%	1%
4	96	1%	1%
5	96	2%	3%
6	93	4%	2%
7	94	4%	-1%
8	94	3%	-2%
9	95	1%	-3%
10	97	0%	-2%
11	96	0%	2%
12	94	2%	1%
13	96	2%	-1%
14	95	4%	-1%
15	95	2%	-1%
16	93	3%	-5%



### Beam details



#### Beam intensities from 1-20m

1m	2m	3m	4m	5m	6m	7m	8m	9m	10m	11m	12m	13m	14m	15m	16m	17m	18m	19m	20m
3.3ft	6.6ft	9.8ft	13.1ft	16.4ft	19.7ft	23ft	26.2ft	29.5ft	32.8ft	36.1ft	39.4ft	42.7ft	45.9ft	49.2ft	52.5ft	55.8ft	59.1ft	62.3ft	65.6ft
2246lx	561lx	250lx	140lx	90lx	62lx	46lx	35lx	28lx	22lx	19lx	16lx	13lx	11lx	10lx	9lx	8lx	7lx	6lx	6lx
208.6fcd	52.2fcd	23.2fcd	13fcd	8.3fcd	5.8fcd	4.3fcd	3.3fcd	2.6fcd	2.1fcd	1.7fcd	1.4fcd	1.2fcd	1.1fcd	0.9fcd	0.8fcd	0.7fcd	0.6fcd	0.6fcd	0.5fcd

#### Intensities in 0° c-plane

0°	2°	4°	6°	8°	10°	12°	14°	16°	18°	20°	22°	24°	26°	28°	30°	32°	34°	36°	38°
2246	2204	2085	1903	1685	1439	1189	974	804	681	600	548	509	477	448	416	375	290	182	87
100%	98%	93%	85%	75%	64%	53%	43%	36%	30%	27%	24%	23%	21%	20%	19%	17%	13%	8%	4%

#### Intensities in 90° c-plane

0°	2°	4°	6°	8°	10°	12°	14°	16°	18°	20°	22°	24°	26°	28°	30°	32°	34°	36°	38°
2246	2204	2085	1903	1685	1439	1189	974	804	681	600	548	509	477	448	416	375	290	182	87
100%	98%	93%	85%	75%	64%	53%	43%	36%	30%	27%	24%	23%	21%	20%	19%	17%	13%	8%	4%

#### Intensities in 180° c-plane

0°	2°	4°	6°	8°	10°	12°	14°	16°	18°	20°	22°	24°	26°	28°	30°	32°	34°	36°	38°
2246	2204	2085	1903	1685	1439	1189	974	804	681	600	548	509	477	448	416	375	290	182	87
100%	98%	93%	85%	75%	64%	53%	43%	36%	30%	27%	24%	23%	21%	20%	19%	17%	13%	8%	4%

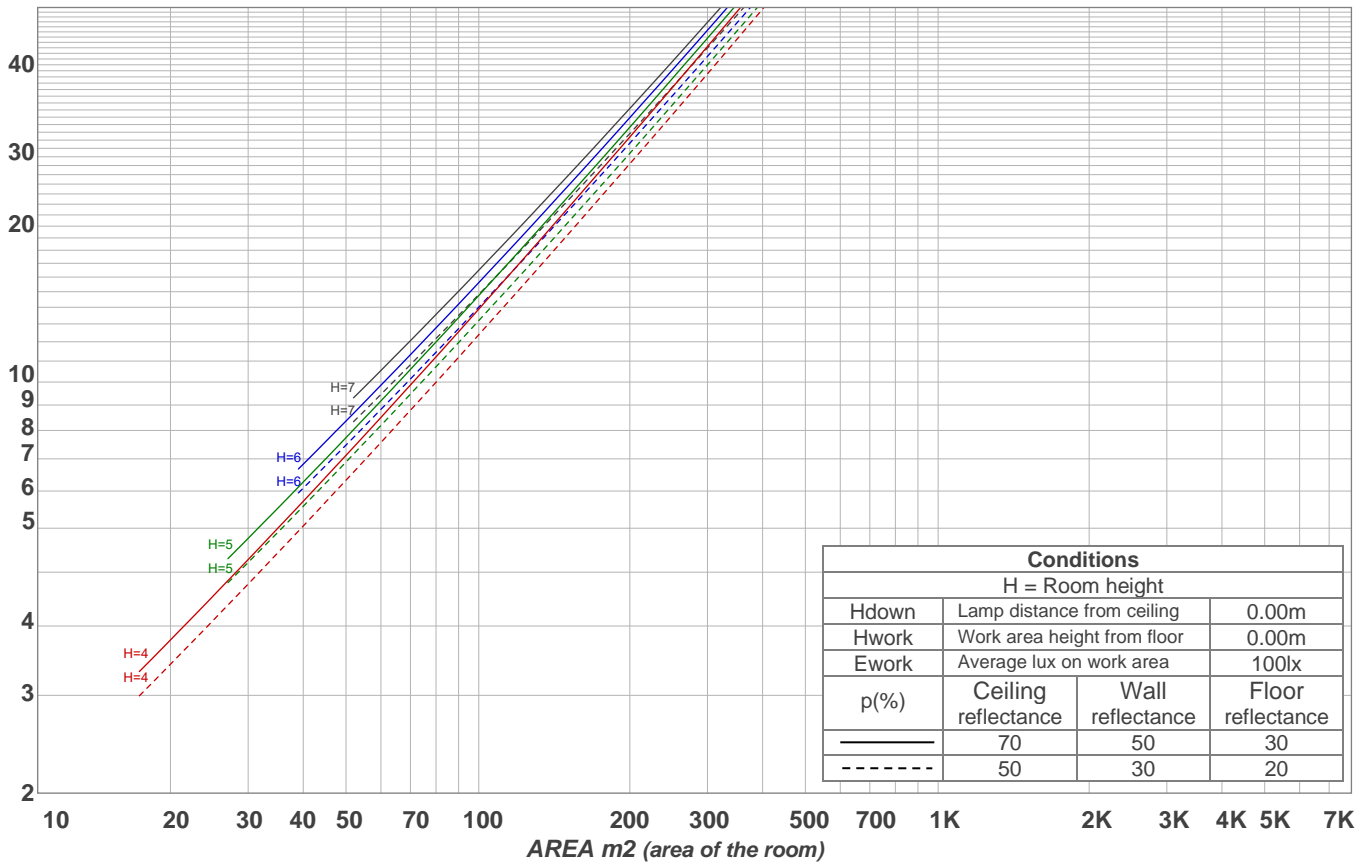
#### Intensities in 270° c-plane

0°	2°	4°	6°	8°	10°	12°	14°	16°	18°	20°	22°	24°	26°	28°	30°	32°	34°	36°	38°
2246	2204	2085	1903	1685	1439	1189	974	804	681	600	548	509	477	448	416	375	290	182	87
100%	98%	93%	85%	75%	64%	53%	43%	36%	30%	27%	24%	23%	21%	20%	19%	17%	13%	8%	4%

Beam angle 50%	Field angle 10%	Cutoff angle 2,5%	Intensity ratio in 120° cone	Intensity ratio in 90° cone
25.1°	70.5°	77.6°	99.4%	98.2%

LAMPS (number of lamps)  
50

### Light planning Luminaire budgetary diagram



### Luminaire budgetary diagram AREA m2 (area of the room) Coefficients of Utilization

Ceiling reflectance	80				70				50			30			10			0			
Wall reflectance	70	50	30	10	70	50	30	10	50	30	10	50	30	10	50	30	10	50	30	10	0
Floor reflectance	20	20	20	20	20	20	20	20	20	20	20	20	20	20	20	20	20	20	20	20	0
RCR	(RCR: Room Cavity Ratio)																				
	Room Values are expressed as percentage of Lumens delivered to the task surface																				
0	119	119	119	119	116	116	116	116	111	111	111	106	106	106	102	102	102	100	100	100	
1	114	112	109	107	112	109	107	105	105	104	102	102	100	99	98	97	96	95	95	95	
2	109	105	101	98	107	103	100	97	100	97	95	97	95	93	94	93	91	89	89	89	
3	105	99	94	91	103	97	93	90	95	92	89	93	90	87	90	88	86	85	85	85	
4	100	93	89	85	98	92	88	84	90	86	83	88	85	82	87	84	81	80	80	80	
5	96	89	83	80	94	88	83	79	86	82	79	84	81	78	83	80	77	76	76	76	
6	92	84	79	75	91	83	78	75	82	78	74	81	77	74	79	76	73	72	72	72	
7	88	80	75	71	87	79	74	71	78	74	71	77	73	70	76	73	70	69	69	69	
8	85	76	71	68	84	76	71	67	75	70	67	74	70	67	73	69	67	65	65	65	
9	81	73	68	64	80	73	68	64	72	67	64	71	67	64	70	66	64	62	62	62	
10	78	70	65	61	77	70	65	61	69	64	61	68	64	61	67	64	61	60	60	60	

### Zonal Lumen Summary

0°-10°	10°-20°	20°-30°	30°-40°	40°-50°	50°-60°	60°-70°	70°-80°	80°-90°
172 lm	250 lm	228 lm	138 lm	13.8 lm	2.91 lm	1.36 lm	1.52 lm	1.98 lm
90°-100°	100°-110°	110°-120°	120°-130°	130°-140°	140°-150°	150°-160°	160°-170°	170°-180°
0.000 lm	0.000 lm	0.000 lm	0.000 lm	0.000 lm	0.000 lm	0.000 lm	0.000 lm	0.000 lm