

Light efficiency:



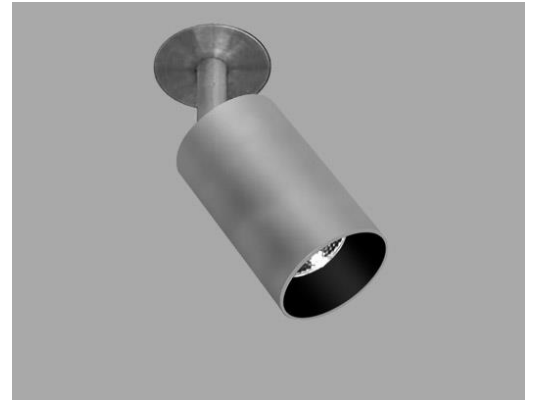
Output: 851 lm

Light quality:

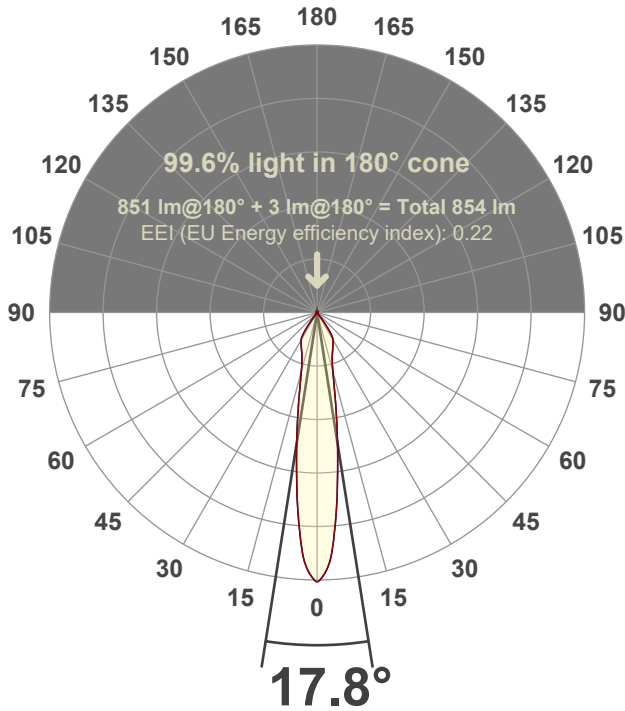


Peak: 3509 cd

Power: 14.6 W



Beam angle



Test number:

SCOM-RA-A14-3019-20°-Rev2A

Luminaire Model:

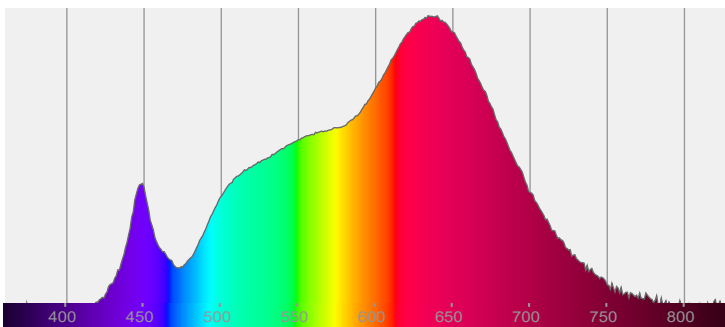
Scope Monopoint- A14-30k-20°-Rev2A

Date and time:

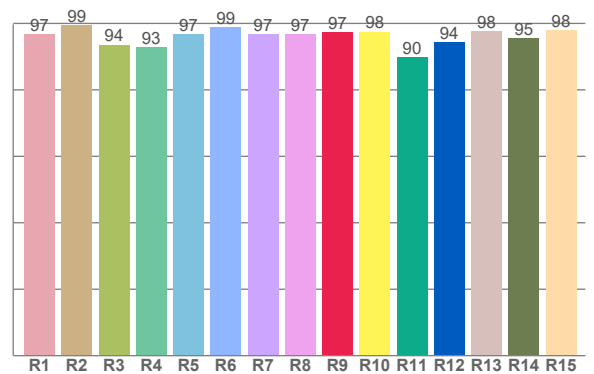
9/7/2022 10:27:12 AM

LUM: 851

Spectra



CRI: 96.4 (R1-R8)



Color parameters

	Color rendering index	Red component	Color fidelity	Color gamut	Color quality scale	Color coordinate cie 1931	Color coordinate cie 1931	Color coordinate	Color coordinate	Color deviation from black body
	CRI	CRI R9	TM30 R _f	TM30 R _g	CQS	x	y	u	v	Δuv
	96.4	97.2	95.6	103.6	94.9	0.440	0.406	0.252	0.348	0.0004

R_f 95.6

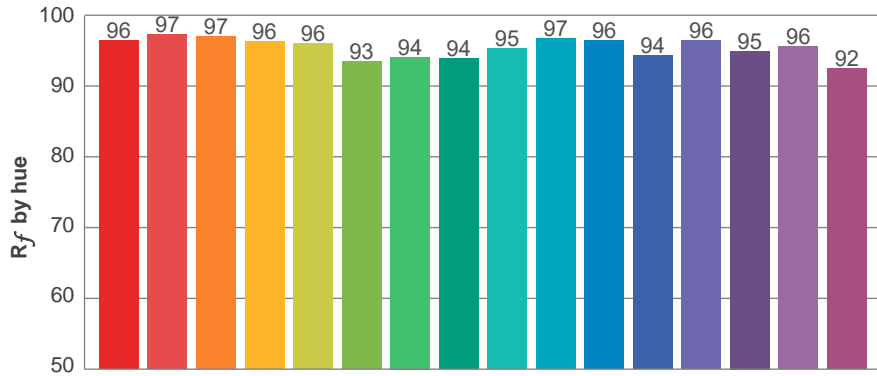
Fidelity index R_f

R_g 103.6

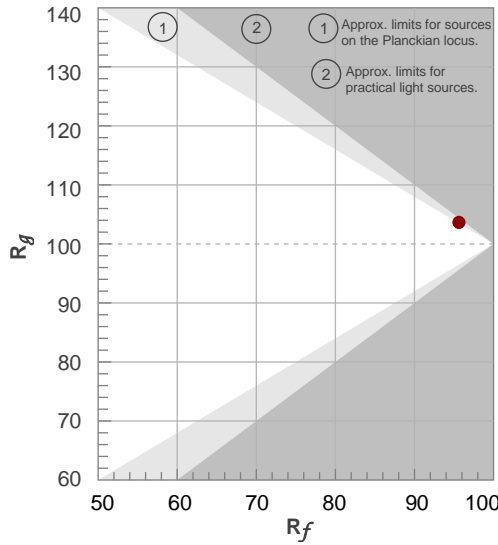
Gammut index R_g

TM30: 95.6

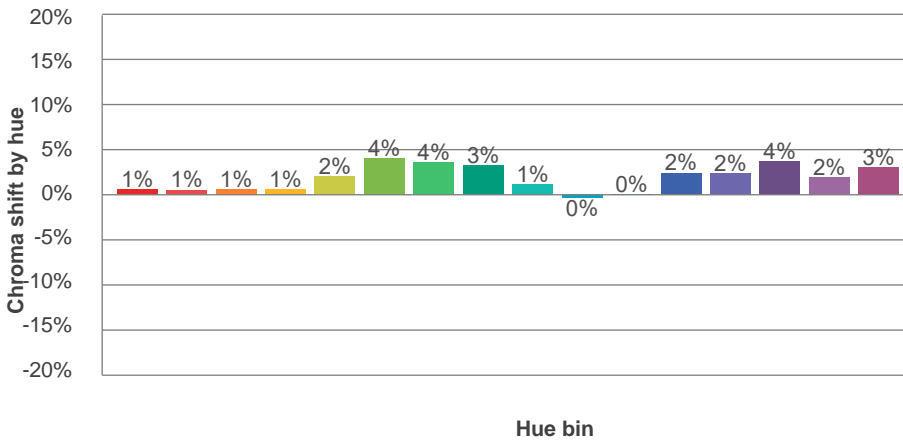
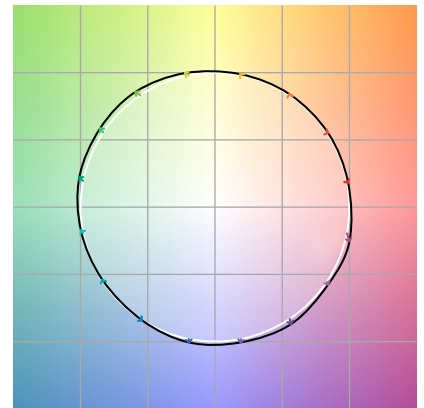
TM-30Color



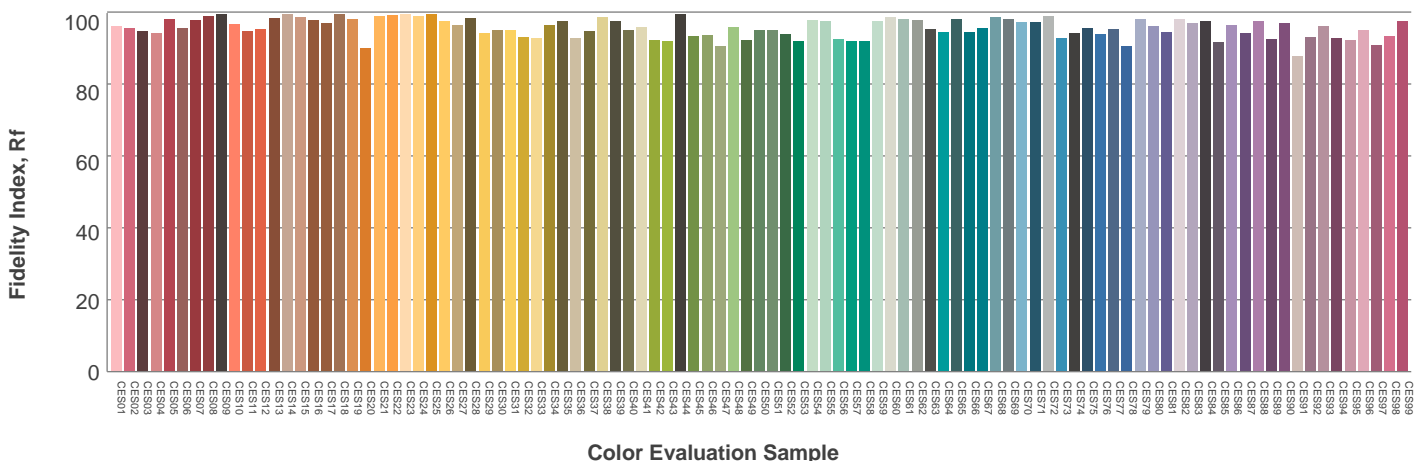
Hue Bin	R _f	Graphic shifts (%)	
		Chroma	Hue
1	96	1%	-2%
2	97	1%	-1%
3	97	1%	1%
4	96	1%	1%
5	96	2%	2%
6	93	4%	2%
7	94	4%	-1%
8	94	3%	-2%
9	95	1%	-2%
10	97	0%	-2%
11	96	0%	2%
12	94	2%	1%
13	96	2%	-1%
14	95	4%	-1%
15	96	2%	-1%
16	92	3%	-5%



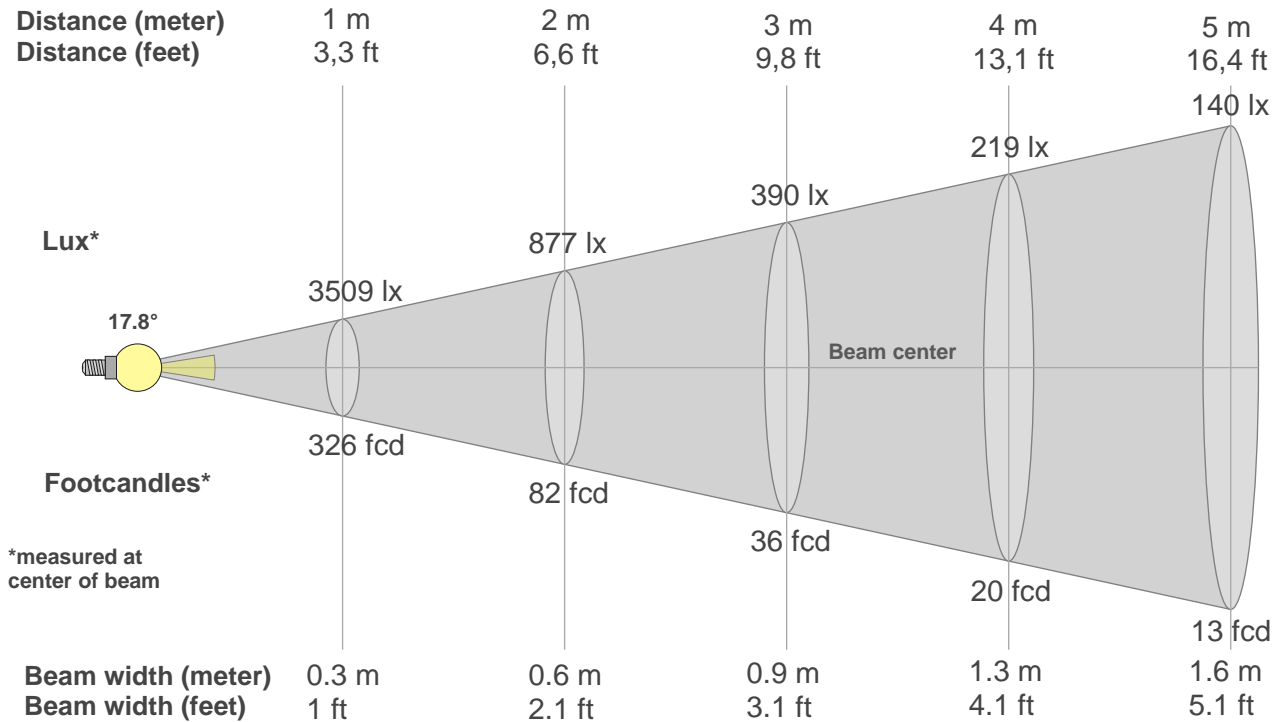
Color vector graphics



Color distortion



Beam details



Beam intensities from 1-20m

1m	2m	3m	4m	5m	6m	7m	8m	9m	10m	11m	12m	13m	14m	15m	16m	17m	18m	19m	20m
3.3ft	6.6ft	9.8ft	13.1ft	16.4ft	19.7ft	23ft	26.2ft	29.5ft	32.8ft	36.1ft	39.4ft	42.7ft	45.9ft	49.2ft	52.5ft	55.8ft	59.1ft	62.3ft	65.6ft
3509lx	877lx	390lx	219lx	140lx	97lx	72lx	55lx	43lx	35lx	29lx	24lx	21lx	18lx	16lx	14lx	12lx	11lx	10lx	9lx
326fcd	81.5fcd	36.2fcd	20.4fcd	13fcd	9.1fcd	6.7fcd	5.1fcd	4fcd	3.3fcd	2.7fcd	2.3fcd	1.9fcd	1.7fcd	1.4fcd	1.3fcd	1.1fcd	1fcd	0.9fcd	0.8fcd

Intensities in 0° c-plane

0°	2°	4°	6°	8°	10°	12°	14°	16°	18°	20°	22°	24°	26°	28°	30°	32°	34°	36°	38°
3509	3369	3024	2500	1953	1516	1165	911	746	647	587	546	510	479	449	419	382	298	190	93
100%	96%	86%	71%	56%	43%	33%	26%	21%	18%	17%	16%	15%	14%	13%	12%	11%	8%	5%	3%

Intensities in 90° c-plane

0°	2°	4°	6°	8°	10°	12°	14°	16°	18°	20°	22°	24°	26°	28°	30°	32°	34°	36°	38°
3509	3369	3024	2500	1953	1516	1165	911	746	647	587	546	510	479	449	419	382	298	190	93
100%	96%	86%	71%	56%	43%	33%	26%	21%	18%	17%	16%	15%	14%	13%	12%	11%	8%	5%	3%

Intensities in 180° c-plane

0°	2°	4°	6°	8°	10°	12°	14°	16°	18°	20°	22°	24°	26°	28°	30°	32°	34°	36°	38°
3509	3369	3024	2500	1953	1516	1165	911	746	647	587	546	510	479	449	419	382	298	190	93
100%	96%	86%	71%	56%	43%	33%	26%	21%	18%	17%	16%	15%	14%	13%	12%	11%	8%	5%	3%

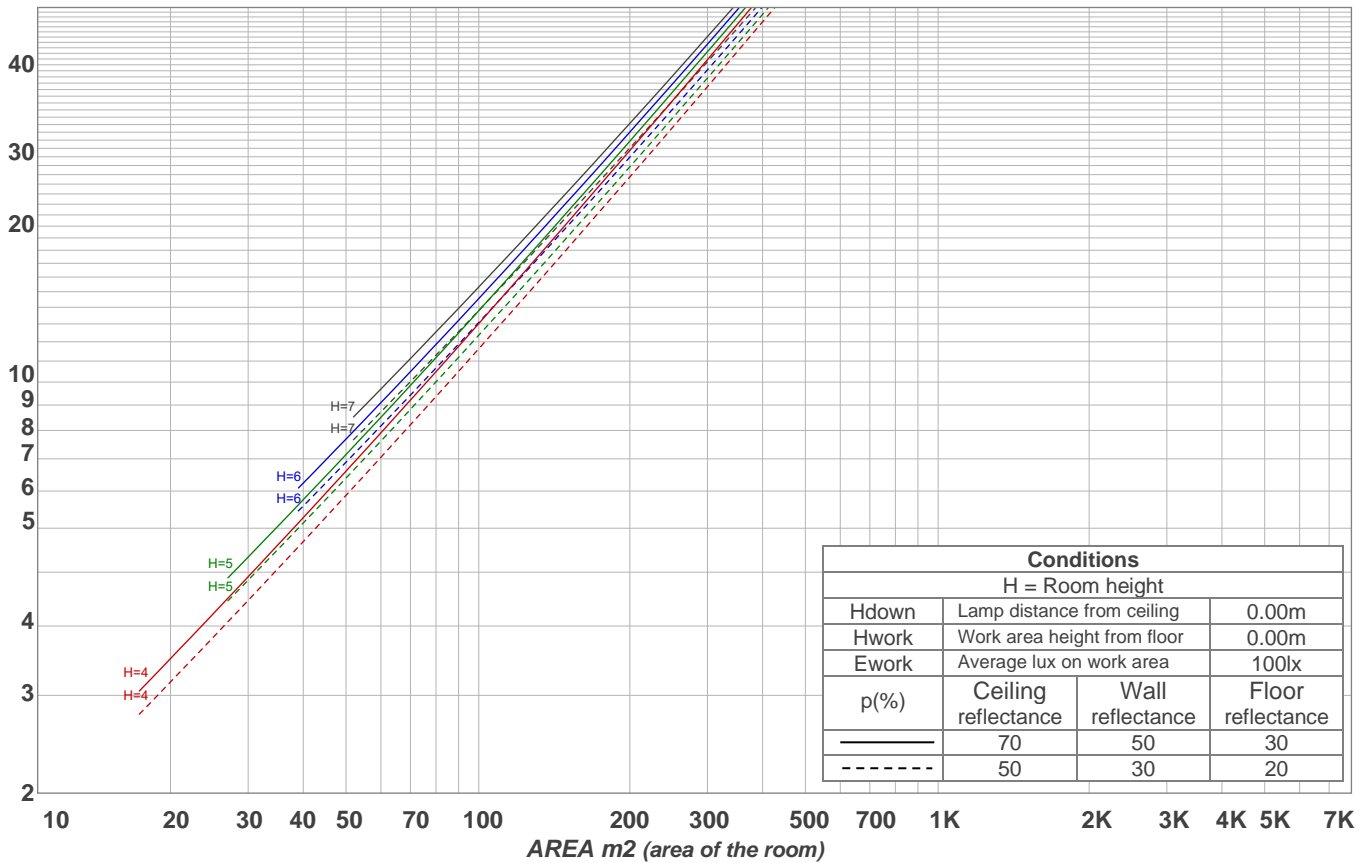
Intensities in 270° c-plane

0°	2°	4°	6°	8°	10°	12°	14°	16°	18°	20°	22°	24°	26°	28°	30°	32°	34°	36°	38°
3509	3369	3024	2500	1953	1516	1165	911	746	647	587	546	510	479	449	419	382	298	190	93
100%	96%	86%	71%	56%	43%	33%	26%	21%	18%	17%	16%	15%	14%	13%	12%	11%	8%	5%	3%

Beam angle 50%	Field angle 10%	Cutoff angle 2,5%	Intensity ratio in 120° cone	Intensity ratio in 90° cone
17.8°	65.5°	76.3°	99.4%	98.3%

LAMPS (number of lamps)
50

Light planning Luminaire budgetary diagram



Luminaire budgetary diagram AREA m2 (area of the room) Coefficients of Utilization

Ceiling reflectance	80				70				50			30			10			0			
Wall reflectance	70	50	30	10	70	50	30	10	50	30	10	50	30	10	50	30	10	50	30	10	0
Floor reflectance	20	20	20	20	20	20	20	20	20	20	20	20	20	20	20	20	20	20	20	20	0
RCR	(RCR: Room Cavity Ratio)																				
	Room Values are expressed as percentage of Lumens delivered to the task surface																				
0	119	119	119	119	116	116	116	116	111	111	111	106	106	106	102	102	102	100	100	100	
1	114	112	109	107	112	110	108	106	106	104	103	102	101	99	98	97	97	95	95	95	
2	109	105	102	99	107	103	100	98	100	98	95	97	95	93	95	93	91	90	90	90	
3	105	99	95	92	103	98	94	91	95	92	89	93	90	88	91	89	87	85	85	85	
4	101	94	89	86	99	93	89	85	91	87	84	89	86	83	87	85	82	81	81	81	
5	97	90	85	81	95	89	84	80	87	83	80	85	82	79	84	81	78	77	77	77	
6	93	85	80	77	92	85	80	76	83	79	76	82	78	75	81	77	75	74	74	74	
7	89	81	76	73	88	81	76	73	80	75	72	78	75	72	77	74	71	70	70	70	
8	86	78	73	69	85	77	73	69	76	72	69	75	71	69	74	71	68	67	67	67	
9	83	75	70	66	82	74	69	66	73	69	66	73	69	66	72	68	66	64	64	64	
10	80	72	67	63	79	71	67	63	71	66	63	70	66	63	69	66	63	62	62	62	

Zonal Lumen Summary

0°-10°	10°-20°	20°-30°	30°-40°	40°-50°	50°-60°	60°-70°	70°-80°	80°-90°
220 lm	240 lm	228 lm	143 lm	12.2 lm	3.25 lm	1.45 lm	1.70 lm	2.11 lm
90°-100°	100°-110°	110°-120°	120°-130°	130°-140°	140°-150°	150°-160°	160°-170°	170°-180°
0.000 lm	0.000 lm	0.000 lm	0.000 lm	0.000 lm	0.000 lm	0.000 lm	0.000 lm	0.000 lm