

Light efficiency:



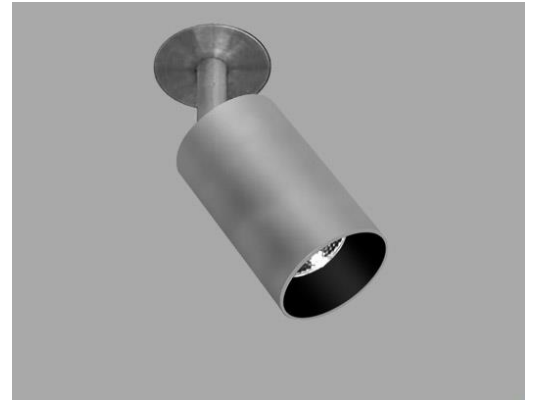
Output: 1255 lm

Light quality:

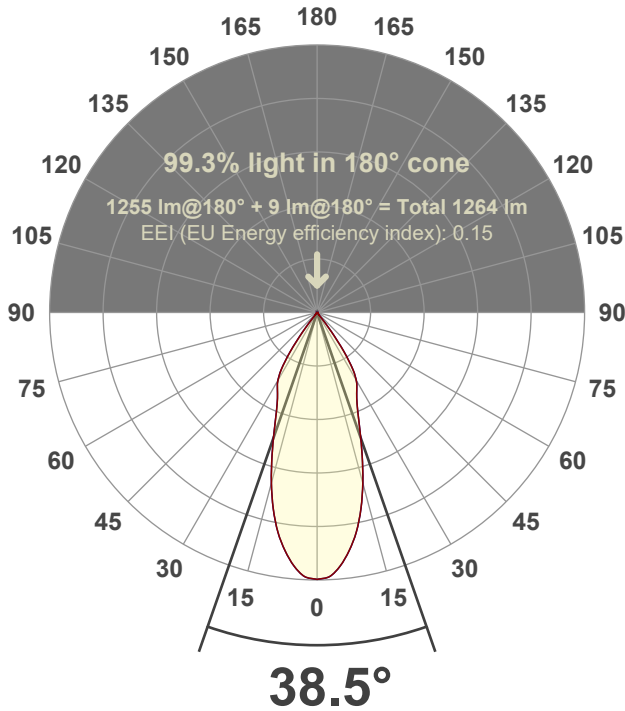


Peak: 2296 cd

Power: 14.1 W



Beam angle



Test number:

SCOM-RA-C14-30K-40°-Rev2A

Luminaire Model:

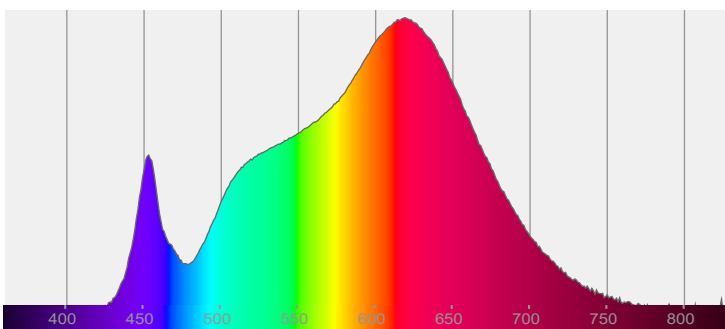
Scope Monopoint- C14-30k- 40°

Date and time:

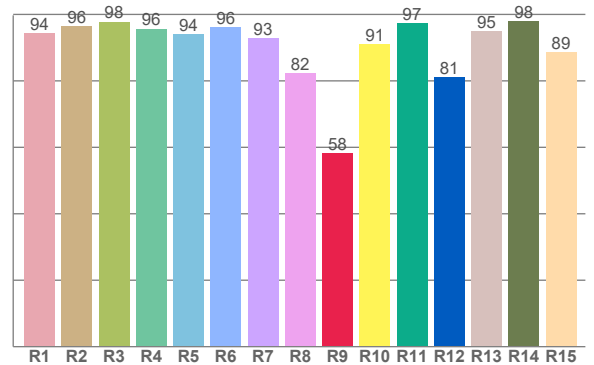
9/6/2022 4:51:01 PM

LUM: 1255

Spectra



CRI: 93.7 (R1-R8)



Color parameters

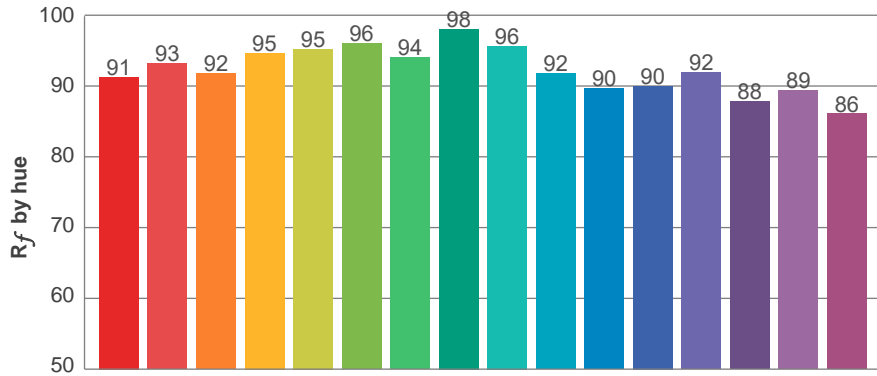
Color rendering index	Red component	Color fidelity	Color gamut	Color quality scale	Color coordinate cie 1931	Color coordinate cie 1931	Color coordinate	Color coordinate	Color divition from black body
CRI	CRI R9	TM30 R _f	TM30 R _g	CQS	x	y	u	v	Δuv
93.7	58.1	92.4	99.6	91.9	0.439	0.408	0.251	0.349	0.0011

R_f 92.4
Fidelity index R_f

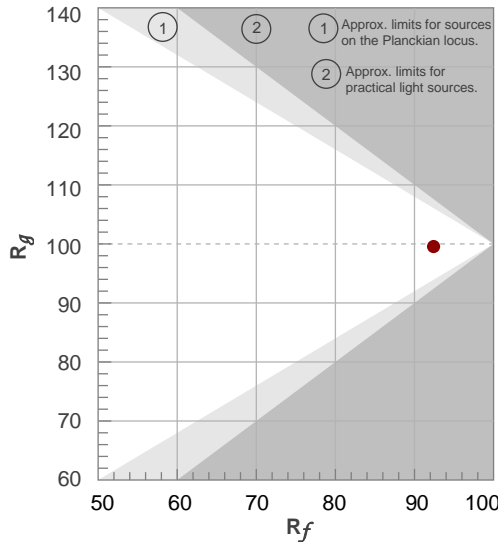
R_g 99.6
Gammut index R_g

TM30: 92.4

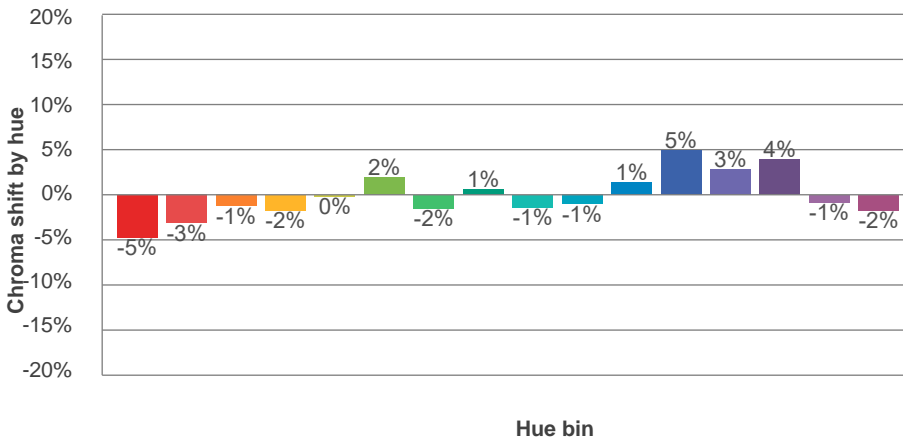
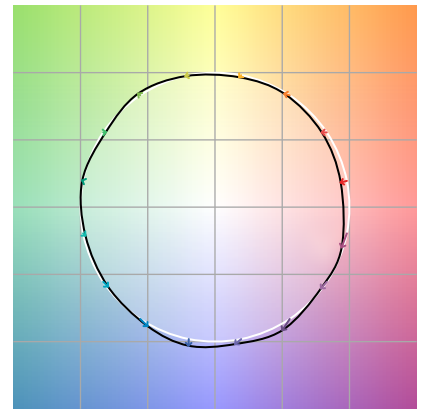
TM-30Color



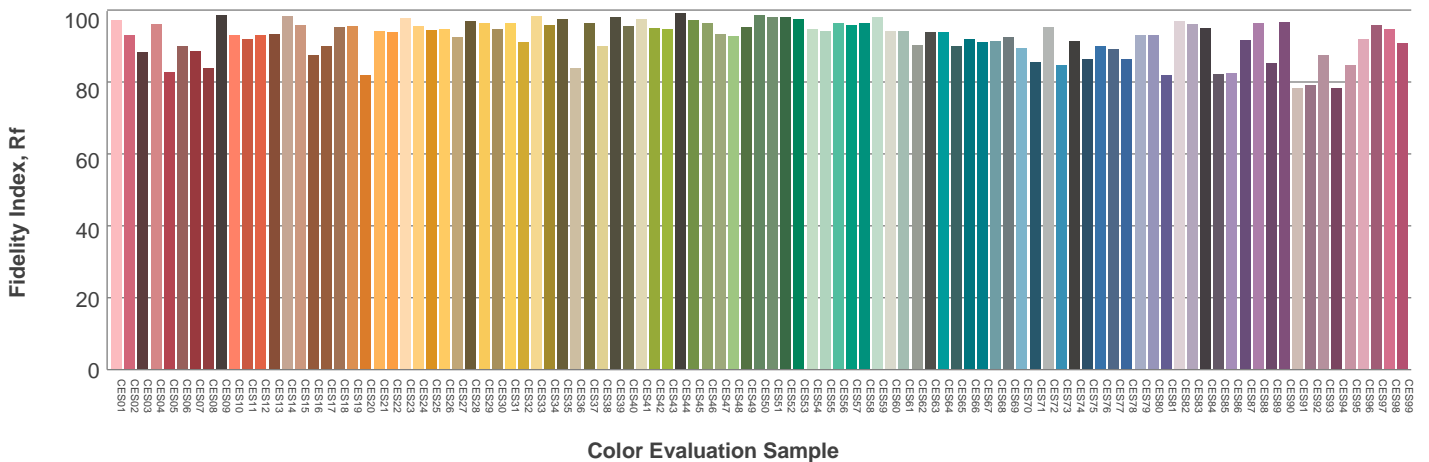
Hue Bin	R_f	Graphic shifts (%)	
		Chroma	Hue
1	91	-5%	0%
2	93	-3%	2%
3	92	-1%	4%
4	95	-2%	1%
5	95	0%	3%
6	96	2%	1%
7	94	-2%	-1%
8	98	1%	0%
9	96	-1%	2%
10	92	-1%	5%
11	90	1%	7%
12	90	5%	1%
13	92	3%	-5%
14	88	4%	-9%
15	89	-1%	-6%
16	86	-2%	-11%



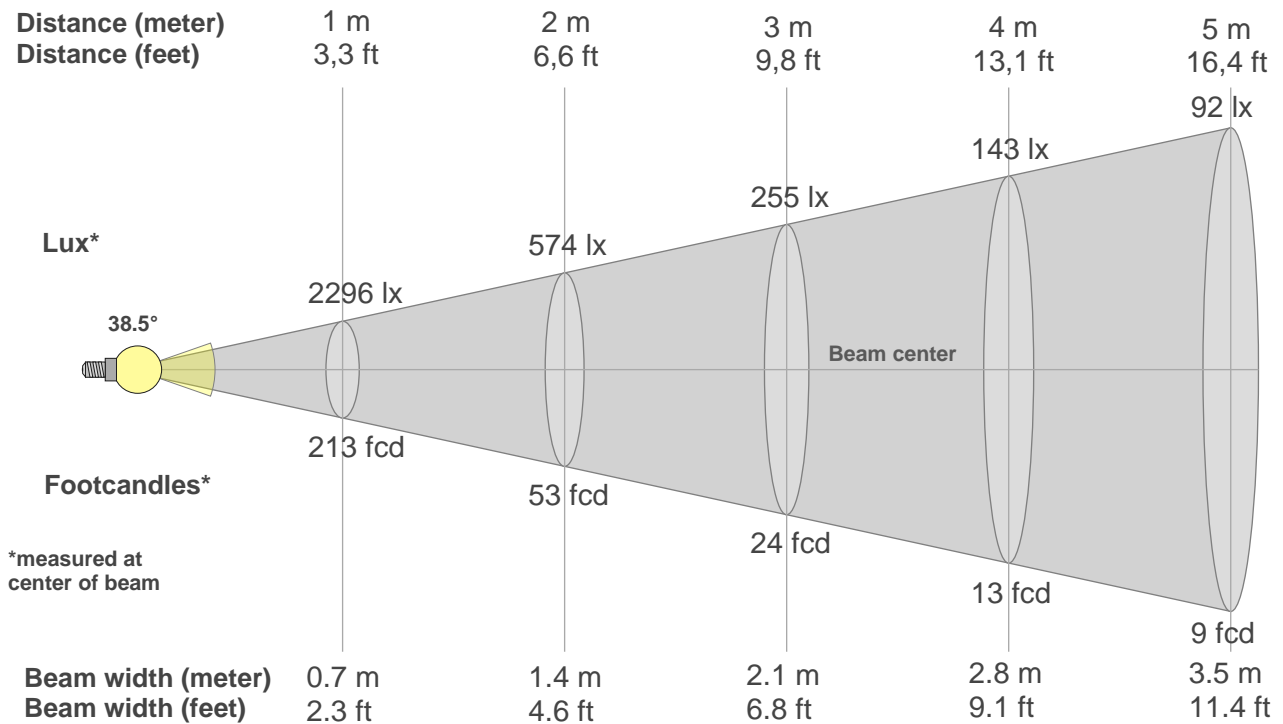
Color vector graphics



Color distortion



Beam details



Beam intensities from 1-20m

1m	2m	3m	4m	5m	6m	7m	8m	9m	10m	11m	12m	13m	14m	15m	16m	17m	18m	19m	20m
3.3ft	6.6ft	9.8ft	13.1ft	16.4ft	19.7ft	23ft	26.2ft	29.5ft	32.8ft	36.1ft	39.4ft	42.7ft	45.9ft	49.2ft	52.5ft	55.8ft	59.1ft	62.3ft	65.6ft
2296lx	574lx	255lx	143lx	92lx	64lx	47lx	36lx	28lx	23lx	19lx	16lx	14lx	12lx	10lx	9lx	8lx	7lx	6lx	6lx
213.3fcd	53.3fcd	23.7fcd	13.3fcd	8.5fcd	5.9fcd	4.4fcd	3.3fcd	2.6fcd	2.1fcd	1.8fcd	1.5fcd	1.3fcd	1.1fcd	0.9fcd	0.8fcd	0.7fcd	0.7fcd	0.6fcd	0.5fcd

Intensities in 0° c-plane

0°	2°	4°	6°	8°	10°	12°	14°	16°	18°	20°	22°	24°	26°	28°	30°	32°	34°	36°	38°
2296	2282	2233	2153	2050	1930	1779	1612	1433	1252	1083	950	852	783	730	677	593	461	307	163
100%	99%	97%	94%	89%	84%	77%	70%	62%	55%	47%	41%	37%	34%	32%	29%	26%	20%	13%	7%

Intensities in 90° c-plane

0°	2°	4°	6°	8°	10°	12°	14°	16°	18°	20°	22°	24°	26°	28°	30°	32°	34°	36°	38°
2296	2282	2233	2153	2050	1930	1779	1612	1433	1252	1083	950	852	783	730	677	593	461	307	163
100%	99%	97%	94%	89%	84%	77%	70%	62%	55%	47%	41%	37%	34%	32%	29%	26%	20%	13%	7%

Intensities in 180° c-plane

0°	2°	4°	6°	8°	10°	12°	14°	16°	18°	20°	22°	24°	26°	28°	30°	32°	34°	36°	38°
2296	2282	2233	2153	2050	1930	1779	1612	1433	1252	1083	950	852	783	730	677	593	461	307	163
100%	99%	97%	94%	89%	84%	77%	70%	62%	55%	47%	41%	37%	34%	32%	29%	26%	20%	13%	7%

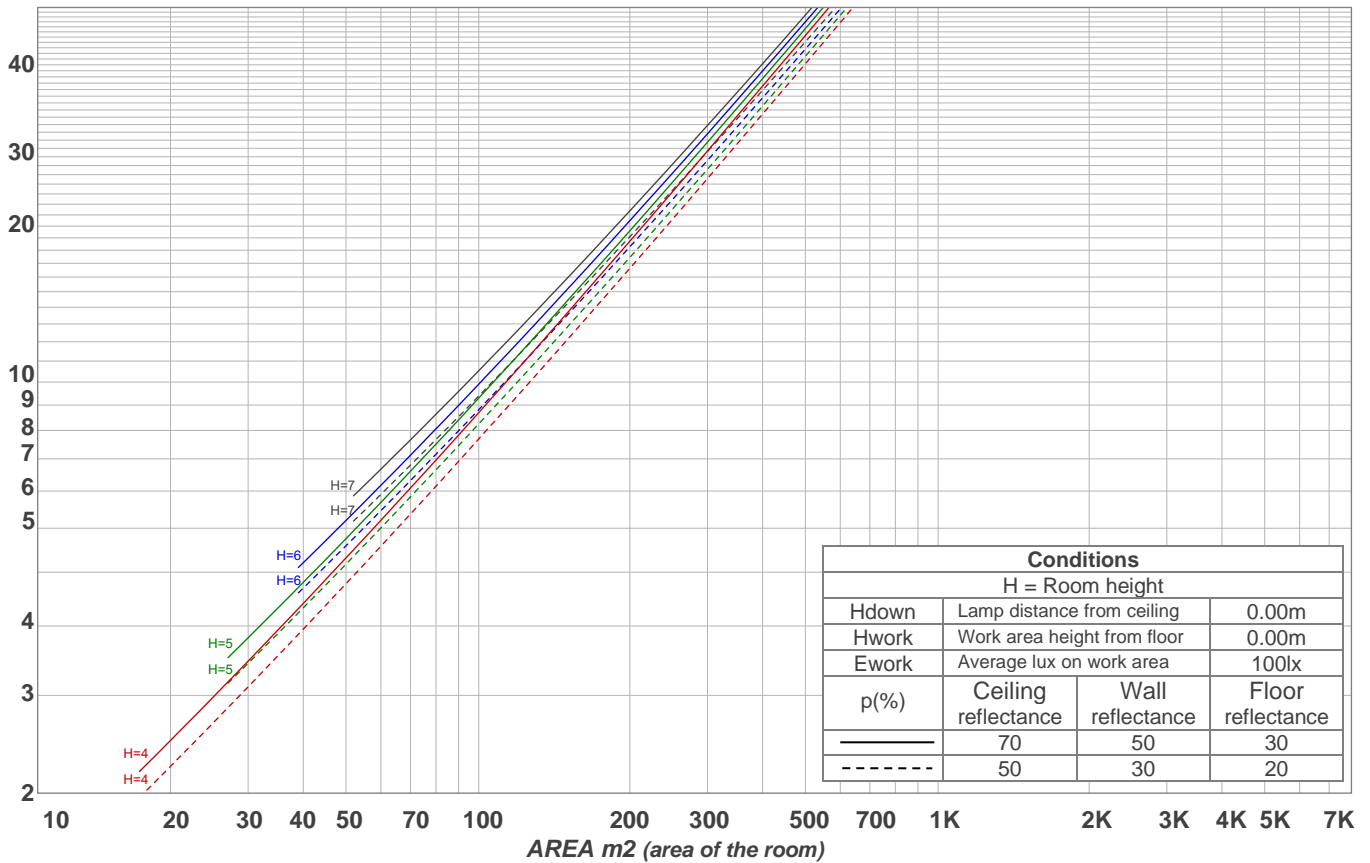
Intensities in 270° c-plane

0°	2°	4°	6°	8°	10°	12°	14°	16°	18°	20°	22°	24°	26°	28°	30°	32°	34°	36°	38°
2296	2282	2233	2153	2050	1930	1779	1612	1433	1252	1083	950	852	783	730	677	593	461	307	163
100%	99%	97%	94%	89%	84%	77%	70%	62%	55%	47%	41%	37%	34%	32%	29%	26%	20%	13%	7%

Beam angle 50%	Field angle 10%	Cutoff angle 2,5%	Intensity ratio in 120° cone	Intensity ratio in 90° cone
38.5°	73.9°	80°	99.5%	98.6%

LAMPS (number of lamps)
50

Light planning Luminaire budgetary diagram



Luminaire budgetary diagram AREA m2 (area of the room) Coefficients of Utilization

Ceiling reflectance	80				70				50			30			10			0			
Wall reflectance	70	50	30	10	70	50	30	10	50	30	10	50	30	10	50	30	10	50	30	10	0
Floor reflectance	20	20	20	20	20	20	20	20	20	20	20	20	20	20	20	20	20	20	20	20	0
RCR	(RCR: Room Cavity Ratio)																				
	Room Values are expressed as percentage of Lumens delivered to the task surface																				
0	119	119	119	119	116	116	116	116	111	111	111	106	106	106	102	102	102	100	100	100	
1	114	111	109	107	111	109	107	105	105	104	102	101	100	99	98	97	96	94	94	94	
2	109	104	101	98	107	103	99	97	100	97	94	97	94	92	94	92	90	89	89	89	
3	104	98	94	90	102	97	93	89	94	91	88	92	89	87	90	87	85	84	84	84	
4	99	93	88	84	98	92	87	83	89	85	82	87	84	81	86	83	80	79	79	79	
5	95	88	82	78	94	87	82	78	85	81	77	83	80	77	82	79	76	75	75	75	
6	91	83	77	74	90	82	77	73	81	76	73	79	75	72	78	75	72	71	71	71	
7	87	79	73	69	86	78	73	69	77	72	69	76	72	68	75	71	68	67	67	67	
8	83	75	69	66	82	74	69	65	73	69	65	72	68	65	71	67	65	63	63	63	
9	80	71	66	62	79	71	66	62	70	65	62	69	65	62	68	64	61	60	60	60	
10	77	68	63	59	76	67	62	59	67	62	59	66	62	59	65	61	59	57	57	57	

Zonal Lumen Summary

0°-10°	10°-20°	20°-30°	30°-40°	40°-50°	50°-60°	60°-70°	70°-80°	80°-90°
201 lm	416 lm	382 lm	228 lm	18.0 lm	3.83 lm	1.72 lm	1.81 lm	2.48 lm
90°-100°	100°-110°	110°-120°	120°-130°	130°-140°	140°-150°	150°-160°	160°-170°	170°-180°
0.000 lm	0.000 lm	0.000 lm	0.000 lm	0.000 lm	0.000 lm	0.000 lm	0.000 lm	0.000 lm