

Light efficiency:



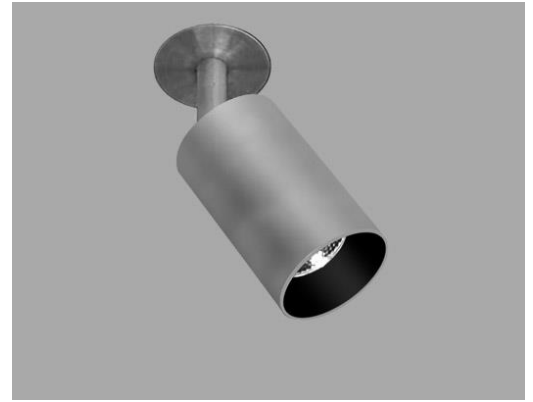
Output: 783 lm

Light quality:

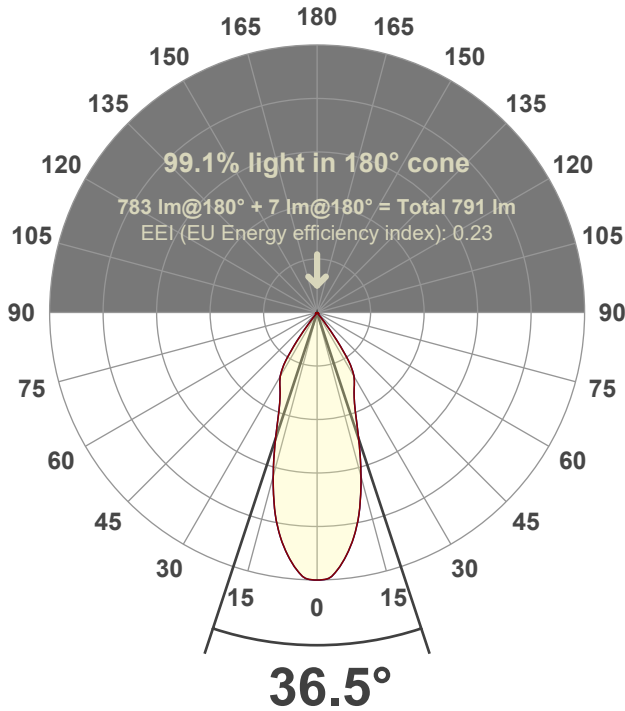


Peak: 1519 cd

Power: 14.6 W



Beam angle



Test number:

SCOM-RA-A14-3019-40°-Rev2A

Luminaire Model:

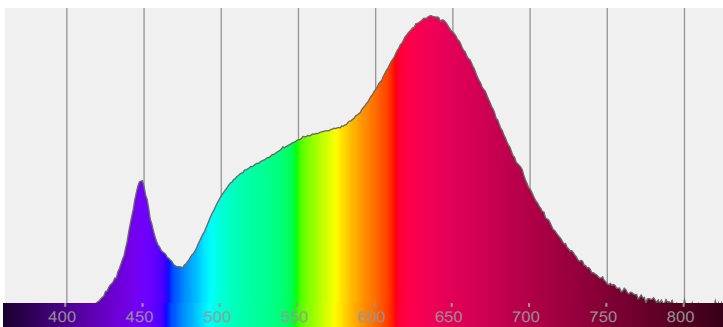
Scope Monopoint- A14-30k-40°

Date and time:

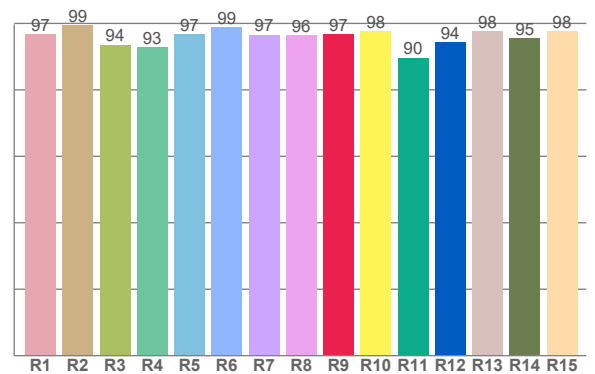
9/7/2022 10:46:21 AM

LUM: 783

Spectra



CRI: 96.4 (R1-R8)



Color parameters

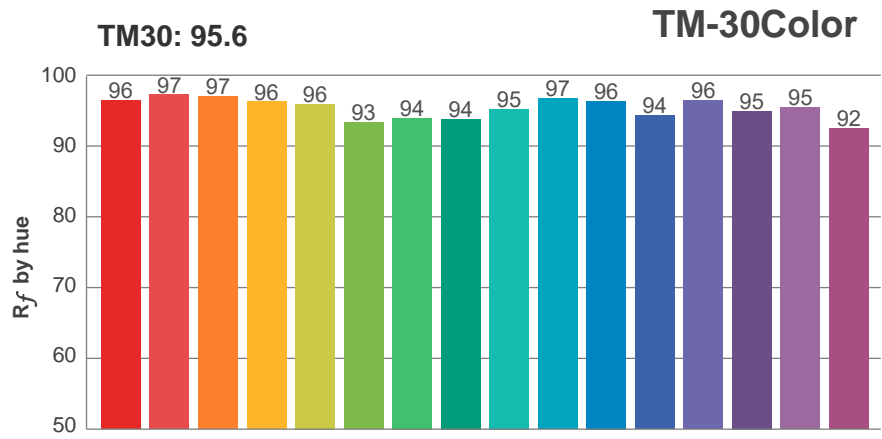
	Color rendering index	Red component	Color fidelity	Color gamut	Color quality scale	Color coordinate cie 1931	Color coordinate cie 1931	Color coordinate	Color coordinate	Color deviation from black body
	CRI	CRI R9	TM30 R _f	TM30 R _g	CQS	x	y	u	v	Δuv
	96.4	96.7	95.6	103.8	94.9	0.439	0.405	0.251	0.348	0.0003

R_f 95.6

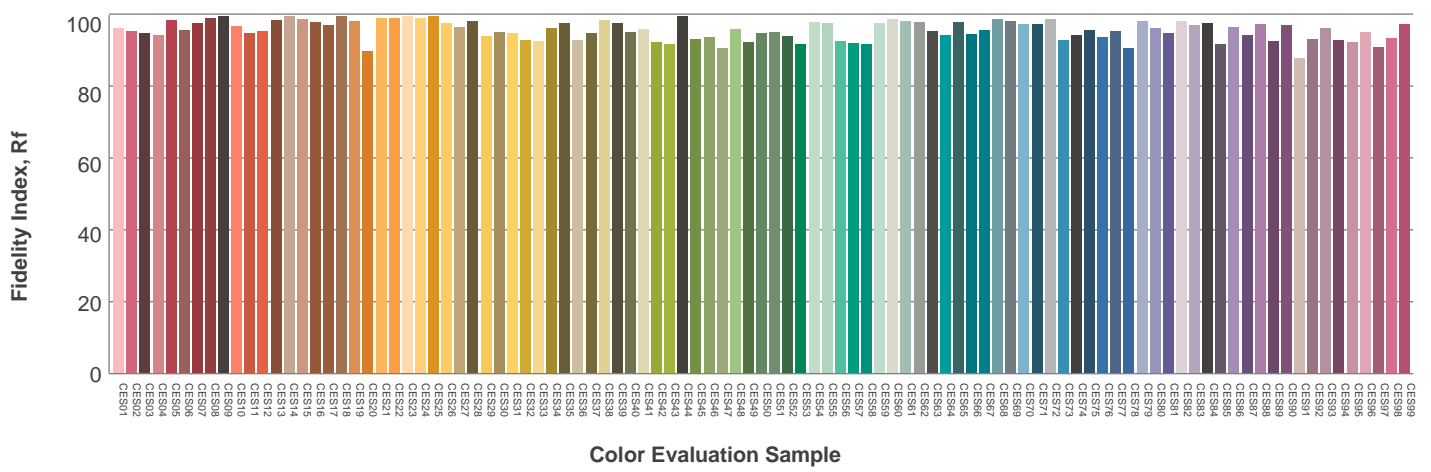
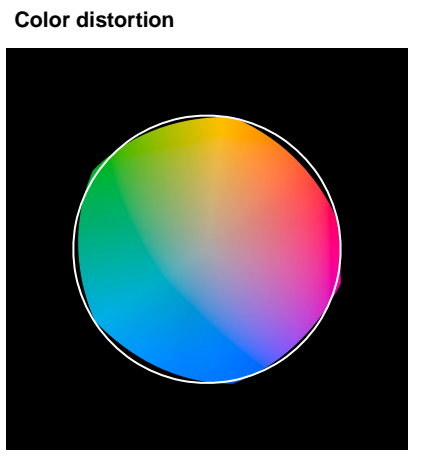
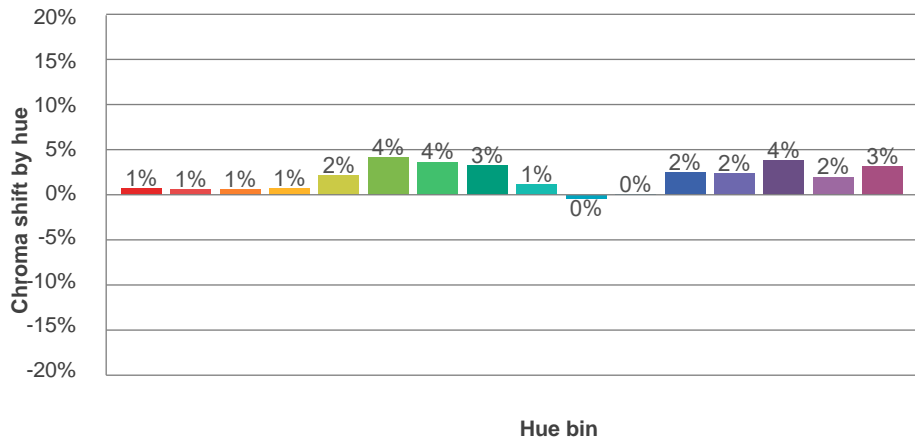
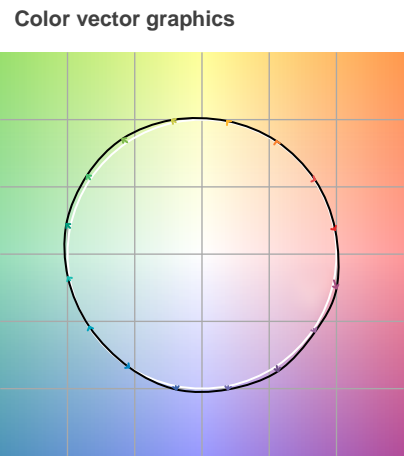
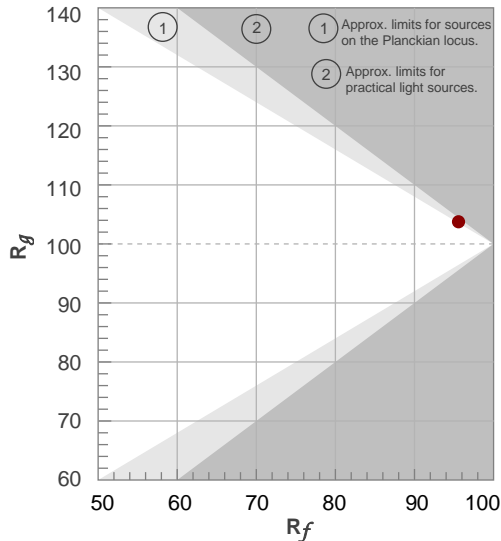
Fidelity index R_f

R_g 103.8

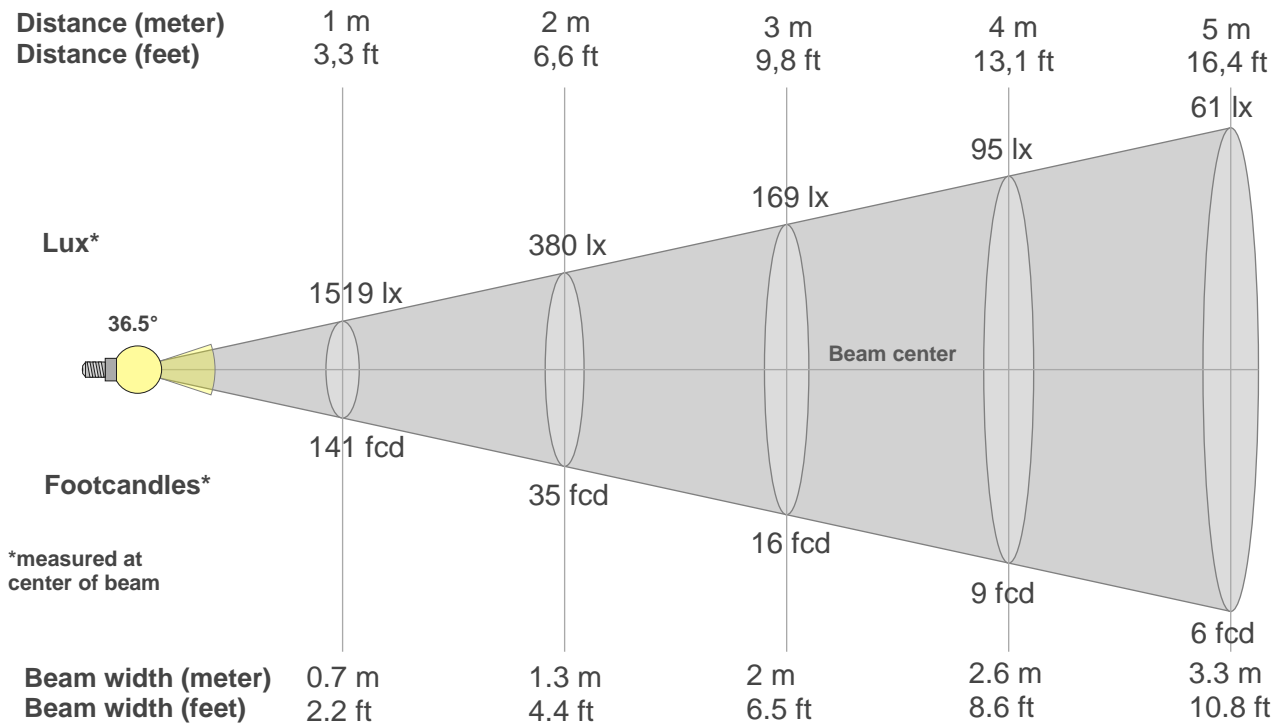
Gammut index R_g



Hue Bin	R _f	Graphic shifts (%)	
		Chroma	Hue
1	96	1%	-2%
2	97	1%	-1%
3	97	1%	1%
4	96	1%	1%
5	96	2%	2%
6	93	4%	2%
7	94	4%	-1%
8	94	3%	-2%
9	95	1%	-3%
10	97	0%	-2%
11	96	0%	2%
12	94	2%	1%
13	96	2%	-1%
14	95	4%	-1%
15	95	2%	-1%
16	92	3%	-5%



Beam details



Beam intensities from 1-20m

1m	2m	3m	4m	5m	6m	7m	8m	9m	10m	11m	12m	13m	14m	15m	16m	17m	18m	19m	20m
3.3ft	6.6ft	9.8ft	13.1ft	16.4ft	19.7ft	23ft	26.2ft	29.5ft	32.8ft	36.1ft	39.4ft	42.7ft	45.9ft	49.2ft	52.5ft	55.8ft	59.1ft	62.3ft	65.6ft
1519lx	380lx	169lx	95lx	61lx	42lx	31lx	24lx	19lx	15lx	13lx	11lx	9lx	8lx	7lx	6lx	5lx	5lx	4lx	4lx
141.1fcd	35.3fcd	15.7fcd	8.8fcd	5.6fcd	3.9fcd	2.9fcd	2.2fcd	1.7fcd	1.4fcd	1.2fcd	1fcd	0.8fcd	0.7fcd	0.6fcd	0.6fcd	0.5fcd	0.4fcd	0.4fcd	0.4fcd

Intensities in 0° c-plane

0°	2°	4°	6°	8°	10°	12°	14°	16°	18°	20°	22°	24°	26°	28°	30°	32°	34°	36°	38°
1519	1519	1481	1422	1349	1262	1158	1034	904	776	665	579	521	483	453	419	368	288	179	74
100%	100%	98%	94%	89%	83%	76%	68%	59%	51%	44%	38%	34%	32%	30%	28%	24%	19%	12%	5%

Intensities in 90° c-plane

0°	2°	4°	6°	8°	10°	12°	14°	16°	18°	20°	22°	24°	26°	28°	30°	32°	34°	36°	38°
1519	1519	1481	1422	1349	1262	1158	1034	904	776	665	579	521	483	453	419	368	288	179	74
100%	100%	98%	94%	89%	83%	76%	68%	59%	51%	44%	38%	34%	32%	30%	28%	24%	19%	12%	5%

Intensities in 180° c-plane

0°	2°	4°	6°	8°	10°	12°	14°	16°	18°	20°	22°	24°	26°	28°	30°	32°	34°	36°	38°
1519	1519	1481	1422	1349	1262	1158	1034	904	776	665	579	521	483	453	419	368	288	179	74
100%	100%	98%	94%	89%	83%	76%	68%	59%	51%	44%	38%	34%	32%	30%	28%	24%	19%	12%	5%

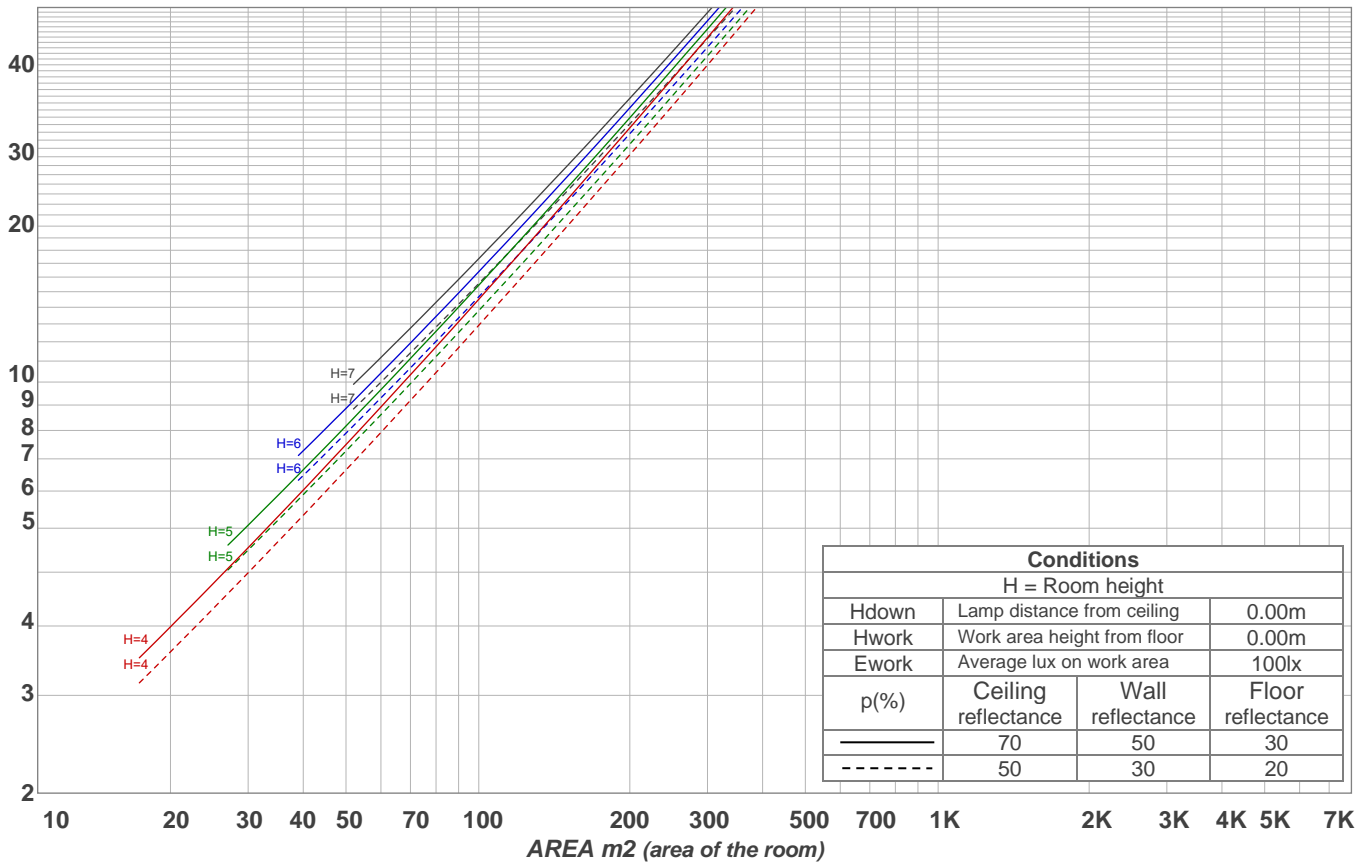
Intensities in 270° c-plane

0°	2°	4°	6°	8°	10°	12°	14°	16°	18°	20°	22°	24°	26°	28°	30°	32°	34°	36°	38°
1519	1519	1481	1422	1349	1262	1158	1034	904	776	665	579	521	483	453	419	368	288	179	74
100%	100%	98%	94%	89%	83%	76%	68%	59%	51%	44%	38%	34%	32%	30%	28%	24%	19%	12%	5%

Beam angle 50%	Field angle 10%	Cutoff angle 2,5%	Intensity ratio in 120° cone	Intensity ratio in 90° cone
36.5°	73°	79.1°	99.4%	98.7%

LAMPS (number of lamps)
50

Light planning Luminaire budgetary diagram



Luminaire budgetary diagram AREA m2 (area of the room) Coefficients of Utilization

Ceiling reflectance	80				70				50			30			10			0			
Wall reflectance	70	50	30	10	70	50	30	10	50	30	10	50	30	10	50	30	10	50	30	10	0
Floor reflectance	20	20	20	20	20	20	20	20	20	20	20	20	20	20	20	20	20	20	20	20	0
RCR	(RCR: Room Cavity Ratio)																				
	Room Values are expressed as percentage of Lumens delivered to the task surface																				
0	119	119	119	119	116	116	116	116	111	111	111	106	106	106	102	102	102	100	100	100	
1	114	111	109	107	112	109	107	105	105	104	102	102	100	99	98	97	96	94	94	94	
2	109	105	101	98	107	103	100	97	100	97	95	97	95	93	94	92	91	89	89	89	
3	104	98	94	90	102	97	93	90	95	91	88	92	89	87	90	88	86	84	84	84	
4	100	93	88	84	98	92	87	84	90	86	83	88	84	82	86	83	81	79	79	79	
5	95	88	83	79	94	87	82	79	85	81	78	84	80	77	82	79	77	75	75	75	
6	91	83	78	74	90	83	78	74	81	77	73	80	76	73	79	75	73	71	71	71	
7	88	79	74	70	86	79	73	70	77	73	70	76	72	69	75	72	69	68	68	68	
8	84	75	70	66	83	75	70	66	74	69	66	73	69	66	72	68	65	64	64	64	
9	81	72	67	63	79	71	66	63	71	66	63	70	65	63	69	65	62	61	61	61	
10	77	69	63	60	76	68	63	60	67	63	60	67	63	60	66	62	59	58	58	58	

Zonal Lumen Summary

0°-10°	10°-20°	20°-30°	30°-40°	40°-50°	50°-60°	60°-70°	70°-80°	80°-90°
133 lm	265 lm	234 lm	137 lm	7.62 lm	2.07 lm	1.46 lm	1.58 lm	1.82 lm
90°-100°	100°-110°	110°-120°	120°-130°	130°-140°	140°-150°	150°-160°	160°-170°	170°-180°
0.000 lm	0.000 lm	0.000 lm	0.000 lm	0.000 lm	0.000 lm	0.000 lm	0.000 lm	0.000 lm