

Light efficiency:



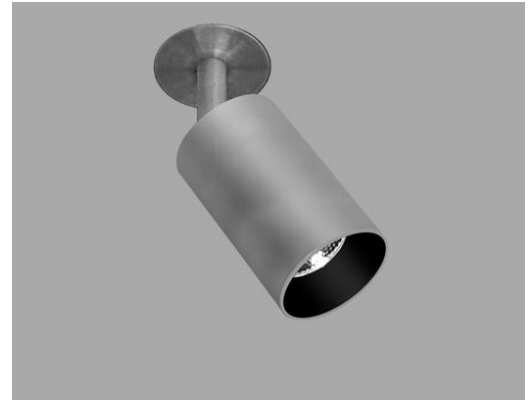
Output: 836 lm

Light quality:

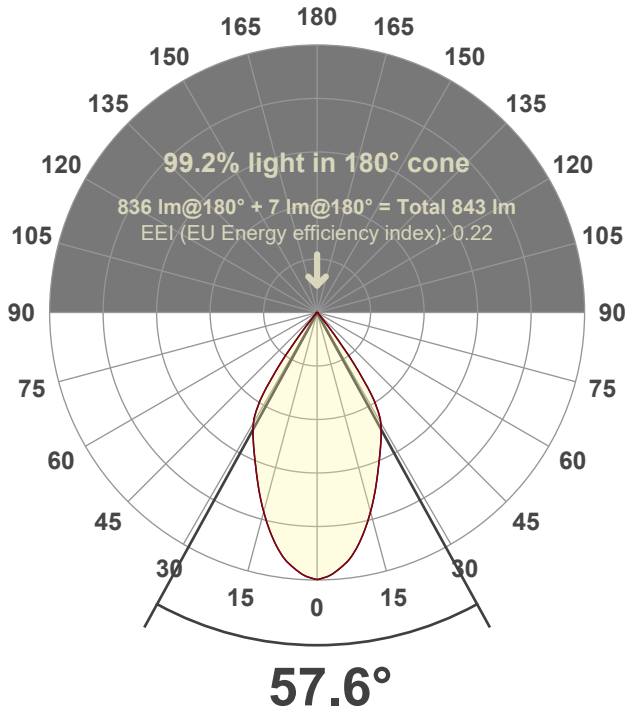


Peak: 1105 cd

Power: 14.6 W



Beam angle



Test number:

SCOM-RA-A14-3019-60°-Rev2A

Luminaire Model:

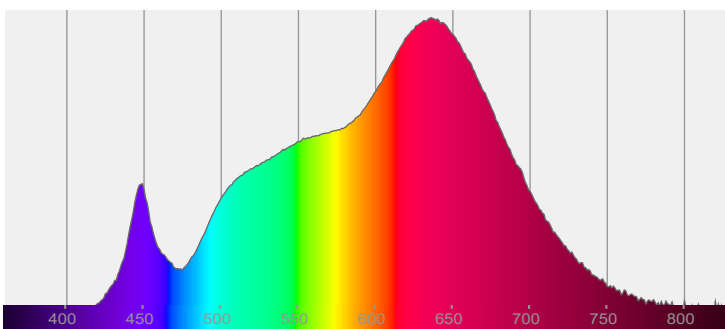
Scope Monopoint- A14-30k-60°

Date and time:

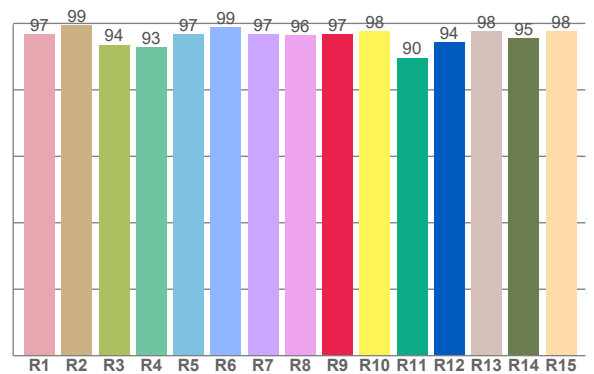
9/7/2022 10:57:00 AM

LUM: 836

Spectra



CRI: 96.4 (R1-R8)



Color parameters

	Color rendering index	Red component	Color fidelity	Color gamut	Color quality scale	Color coordinate cie 1931	Color coordinate cie 1931	Color coordinate	Color coordinate	Color deviation from black body
	CRI	CRI R9	TM30 R <sub>f</sub>	TM30 R <sub>g</sub>	CQS	x	y	u	v	Δuv
	96.4	96.8	95.6	103.7	94.9	0.439	0.406	0.251	0.348	0.0003

# R<sub>f</sub> 95.6

Fidelity index R<sub>f</sub>

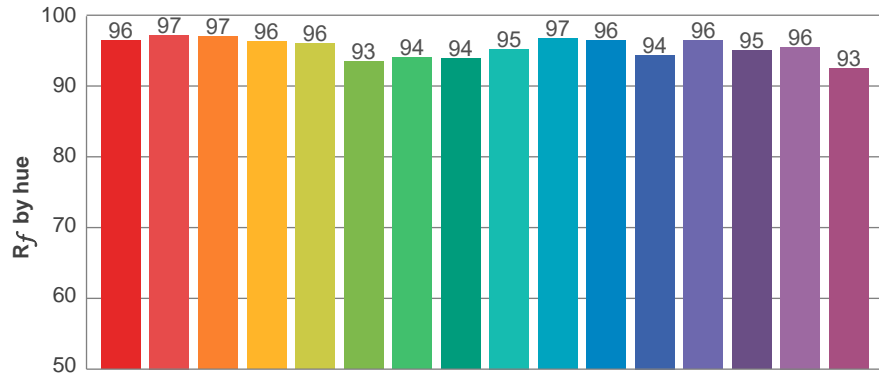
---

# R<sub>g</sub> 103.7

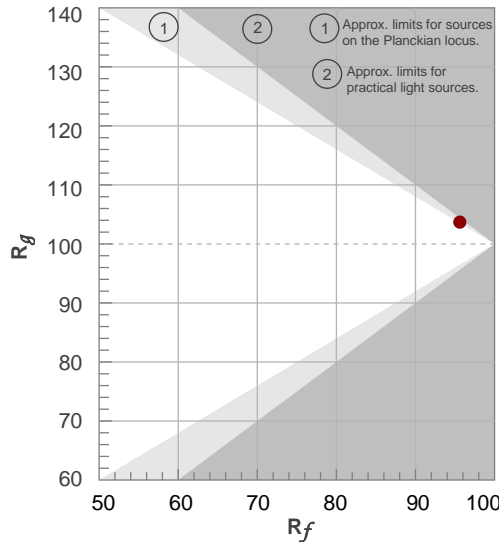
Gammut index R<sub>g</sub>

TM30: 95.6

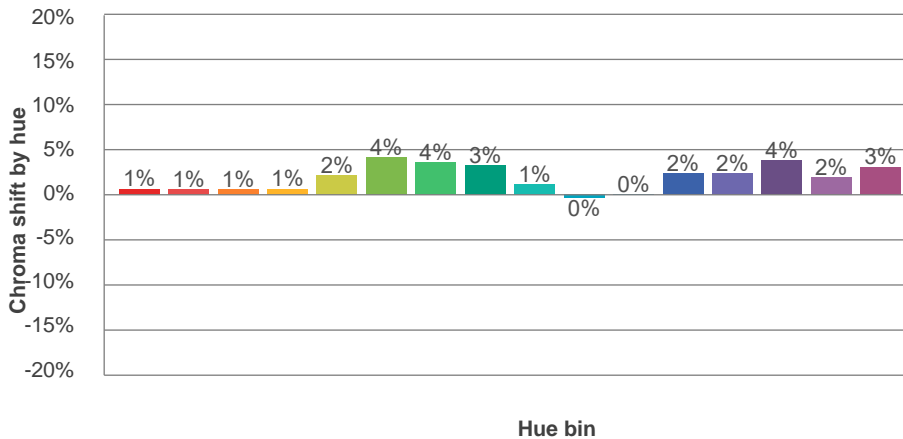
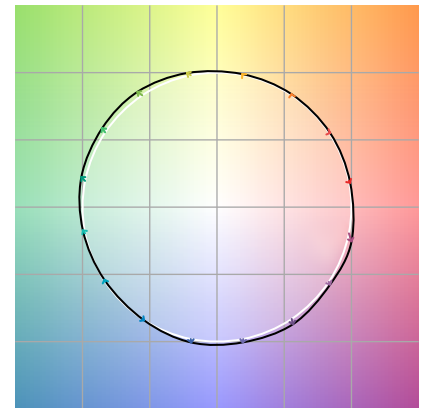
TM-30Color



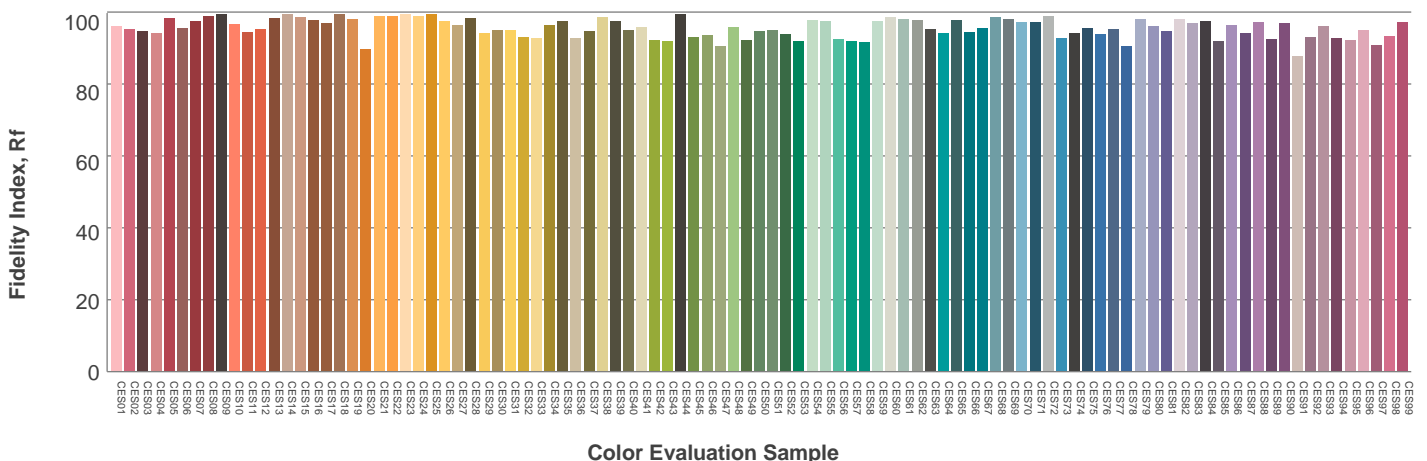
Hue Bin	R <sub>f</sub>	Graphic shifts (%)	
		Chroma	Hue
1	96	1%	-2%
2	97	1%	-1%
3	97	1%	1%
4	96	1%	1%
5	96	2%	2%
6	93	4%	2%
7	94	4%	-1%
8	94	3%	-2%
9	95	1%	-3%
10	97	0%	-2%
11	96	0%	2%
12	94	2%	1%
13	96	2%	-1%
14	95	4%	-1%
15	96	2%	-1%
16	93	3%	-5%



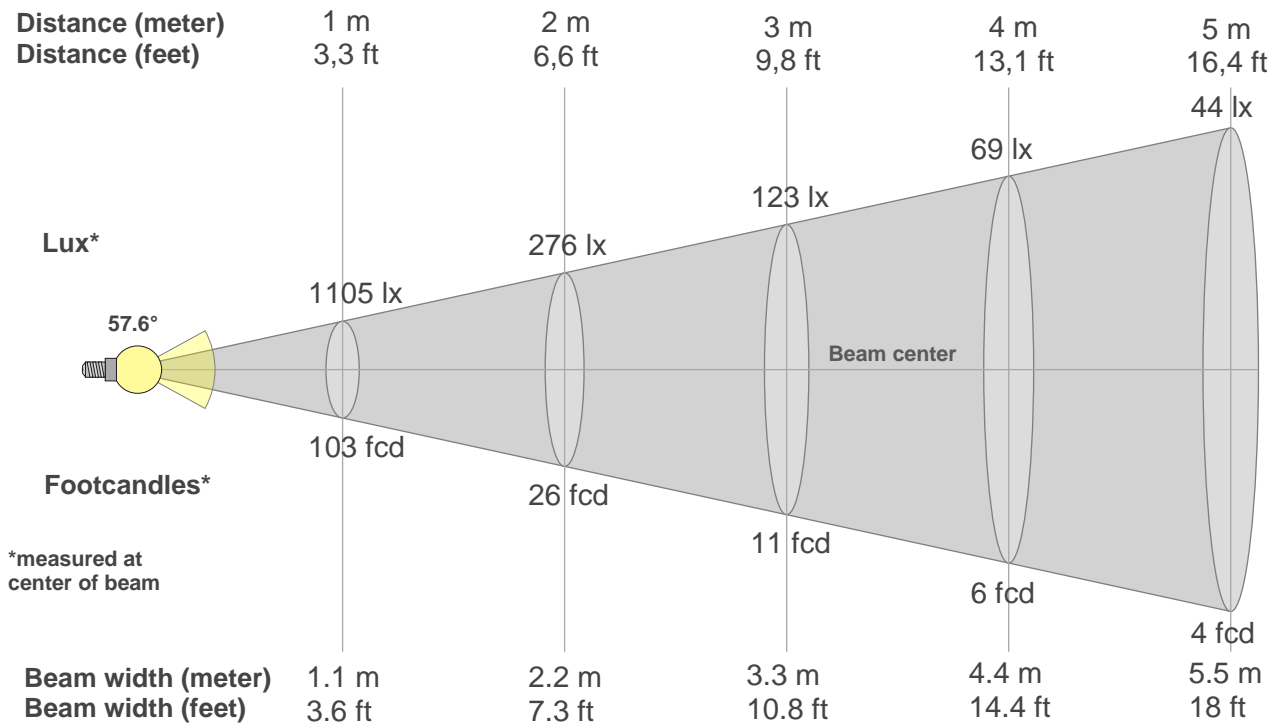
Color vector graphics



Color distortion



### Beam details



#### Beam intensities from 1-20m

1m	2m	3m	4m	5m	6m	7m	8m	9m	10m	11m	12m	13m	14m	15m	16m	17m	18m	19m	20m
3.3ft	6.6ft	9.8ft	13.1ft	16.4ft	19.7ft	23ft	26.2ft	29.5ft	32.8ft	36.1ft	39.4ft	42.7ft	45.9ft	49.2ft	52.5ft	55.8ft	59.1ft	62.3ft	65.6ft
1105lx	276lx	123lx	69lx	44lx	31lx	23lx	17lx	14lx	11lx	9lx	8lx	7lx	6lx	5lx	4lx	4lx	3lx	3lx	3lx
102.6fcd	25.7fcd	11.4fcd	6.4fcd	4.1fcd	2.9fcd	2.1fcd	1.6fcd	1.3fcd	1fcd	0.8fcd	0.7fcd	0.6fcd	0.5fcd	0.5fcd	0.4fcd	0.4fcd	0.3fcd	0.3fcd	0.3fcd

#### Intensities in 0° c-plane

0°	2°	4°	6°	8°	10°	12°	14°	16°	18°	20°	22°	24°	26°	28°	30°	32°	34°	36°	38°
1105	1096	1077	1052	1021	980	932	881	830	779	730	683	642	604	567	526	470	383	257	135
100%	99%	97%	95%	92%	89%	84%	80%	75%	71%	66%	62%	58%	55%	51%	48%	43%	35%	23%	12%

#### Intensities in 90° c-plane

0°	2°	4°	6°	8°	10°	12°	14°	16°	18°	20°	22°	24°	26°	28°	30°	32°	34°	36°	38°
1105	1096	1077	1052	1021	980	932	881	830	779	730	683	642	604	567	526	470	383	257	135
100%	99%	97%	95%	92%	89%	84%	80%	75%	71%	66%	62%	58%	55%	51%	48%	43%	35%	23%	12%

#### Intensities in 180° c-plane

0°	2°	4°	6°	8°	10°	12°	14°	16°	18°	20°	22°	24°	26°	28°	30°	32°	34°	36°	38°
1105	1096	1077	1052	1021	980	932	881	830	779	730	683	642	604	567	526	470	383	257	135
100%	99%	97%	95%	92%	89%	84%	80%	75%	71%	66%	62%	58%	55%	51%	48%	43%	35%	23%	12%

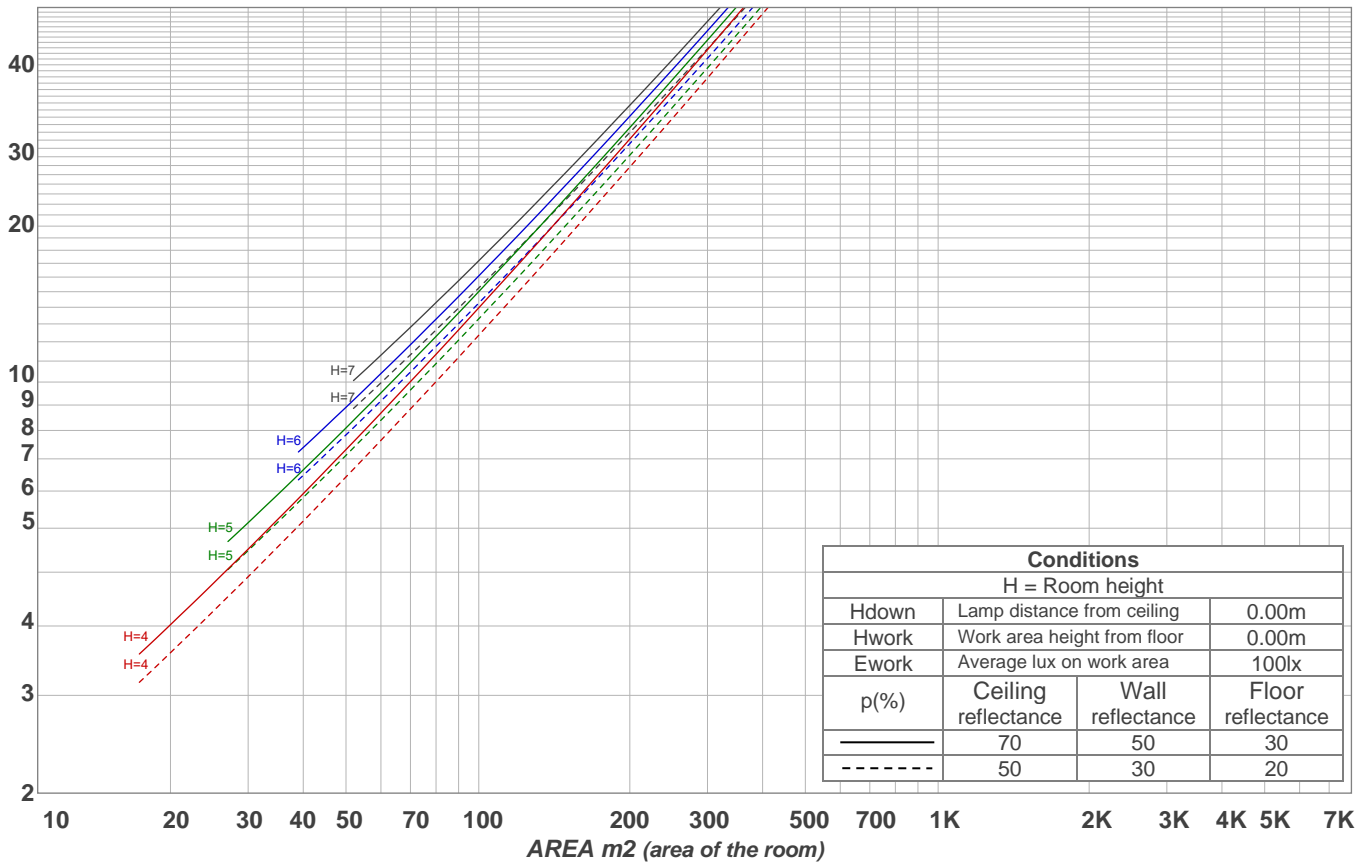
#### Intensities in 270° c-plane

0°	2°	4°	6°	8°	10°	12°	14°	16°	18°	20°	22°	24°	26°	28°	30°	32°	34°	36°	38°
1105	1096	1077	1052	1021	980	932	881	830	779	730	683	642	604	567	526	470	383	257	135
100%	99%	97%	95%	92%	89%	84%	80%	75%	71%	66%	62%	58%	55%	51%	48%	43%	35%	23%	12%

Beam angle 50%	Field angle 10%	Cutoff angle 2,5%	Intensity ratio in 120° cone	Intensity ratio in 90° cone
57.6°	76.9°	85.9°	99.4%	98.4%

LAMPS (number of lamps)  
50

## Light planning Luminaire budgetary diagram



### Luminaire budgetary diagram AREA m² (area of the room) Coefficients of Utilization

Ceiling reflectance	80				70				50			30			10			0			
Wall reflectance	70	50	30	10	70	50	30	10	50	30	10	50	30	10	50	30	10	50	30	10	0
Floor reflectance	20	20	20	20	20	20	20	20	20	20	20	20	20	20	20	20	20	20	20	20	0
RCR	(RCR: Room Cavity Ratio)																				
	Room Values are expressed as percentage of Lumens delivered to the task surface																				
0	119	119	119	119	116	116	116	116	111	111	111	106	106	106	102	102	102	100	100	100	
1	114	111	108	106	111	109	107	105	105	103	101	101	100	98	98	97	96	94	94	94	
2	108	104	100	96	106	102	98	95	99	96	93	96	93	91	93	91	89	88	88	88	
3	103	97	92	88	101	95	91	88	93	89	86	90	87	85	88	86	83	82	82	82	
4	98	91	86	81	96	90	85	81	88	83	80	86	82	79	84	81	78	77	77	77	
5	93	85	80	76	92	84	79	75	83	78	75	81	77	74	79	76	73	72	72	72	
6	89	80	75	70	87	80	74	70	78	73	70	77	72	69	75	72	69	67	67	67	
7	85	76	70	66	83	75	70	66	74	69	65	73	68	65	72	68	65	63	63	63	
8	81	72	66	62	80	71	65	62	70	65	61	69	64	61	68	64	61	60	60	60	
9	77	68	62	58	76	67	62	58	66	61	58	65	61	58	65	60	57	56	56	56	
10	74	64	59	55	73	64	58	55	63	58	55	62	58	54	61	57	54	53	53	53	

### Zonal Lumen Summary

0°-10°	10°-20°	20°-30°	30°-40°	40°-50°	50°-60°	60°-70°	70°-80°	80°-90°
99.0 lm	239 lm	287 lm	187 lm	17.4 lm	2.76 lm	1.51 lm	1.63 lm	1.91 lm
90°-100°	100°-110°	110°-120°	120°-130°	130°-140°	140°-150°	150°-160°	160°-170°	170°-180°
0.000 lm	0.000 lm	0.000 lm	0.000 lm	0.000 lm	0.000 lm	0.000 lm	0.000 lm	0.000 lm